

# Zot Jr. User's Manual



P: 845.469.2285 | F: 845.469.5355 | website: [www.lycian.com](http://www.lycian.com)

## **Introduction**

Congratulations on choosing the Lycian Stage Lighting ZOT Jr! It's a high-quality theatrical lighting fixture. Lycian followspots undergo rigorous manufacturing processes and thorough inspections to ensure top-notch performance. However, if your unit appears damaged in any way, contact your Lycian distributor immediately.

To best acquaint yourself, and for safe operations, please read the user instruction manual prior to using your new followspot. Improper use can be a safety hazard, degrade performance and/or void warranty. Lycian Stage Lighting is not liable for damages whether direct, indirect, or incidental resulting from customer's failure to follow proper operational and safety procedures.

## **Important Safety Information**

1. This product is designed for interior use only. Avoid use areas where water can contact the fixture.
2. Servicing should only be by a qualified technician.
3. Use only Lycian replacement components.

## **Fixture Safety**

1. Ensure that the base is on a stable, level floor or platform.
2. Use proper cables to secure fixture if hung using proper length and cable strength.
3. Allow fixture to cool before servicing.
4. Do not tamper with or bypass unit's safety features. Do not use if the product has been damaged by accident, has been unreasonably neglected, improperly used, or following attempted repairs by unauthorized personnel.
5. Inspect power cord for damage before each use.

## **Ventilation**

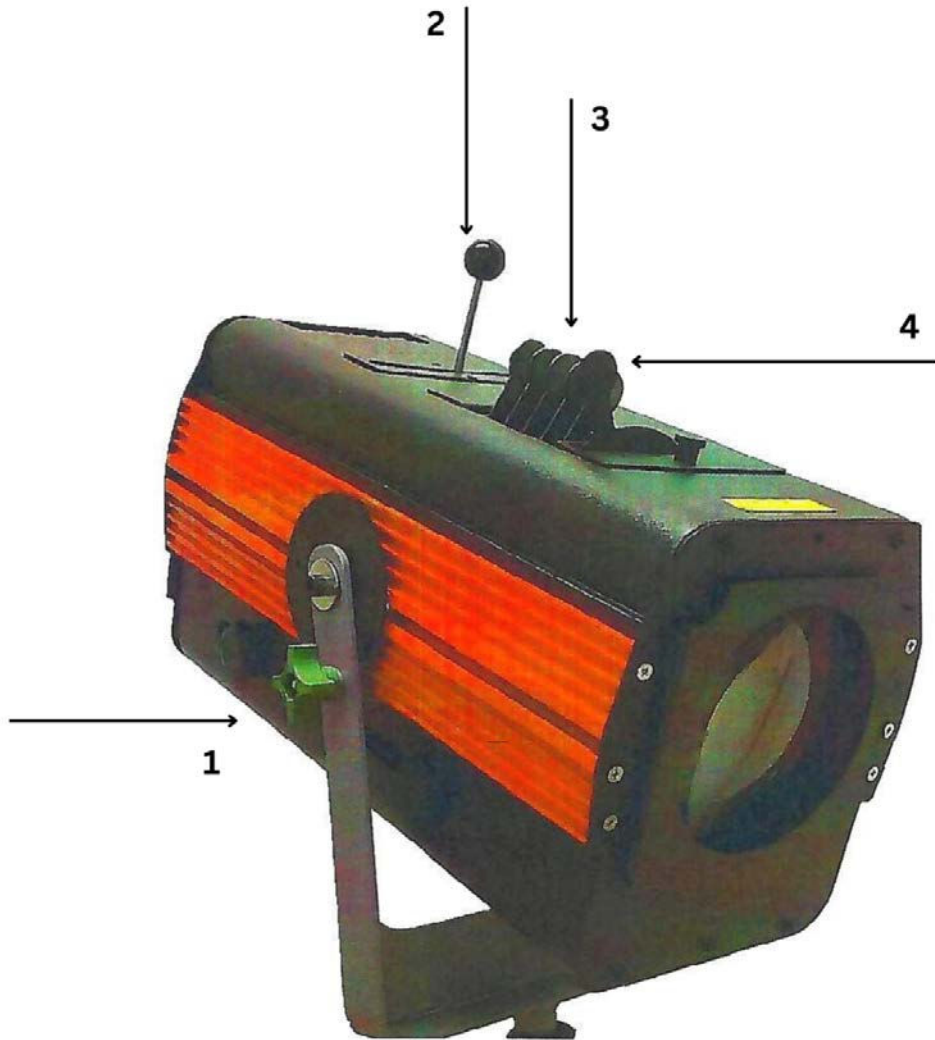
1. Keep away from flammable materials.
2. Do not cover while in use.
3. Keep vents clear to avoid overheating.
4. Ensure fan is clean and spinning freely. If fan is not operating properly shut unit off and have it serviced.

## **Cleaning**

1. Never touch LED source with fingers.
2. LED may be cleaned with a gentle blast of compressed air twice annually or as required.
3. Use a gentle lens cleaner or alcohol-base cleaner when lens is cold.
4. Avoid wetting exterior and controls. Keep liquid away from interior.

**Controls:**

1. Tilt Knob
2. Iris Control
3. 5-Color Dichroic Color Boomerang
4. Fader



**Mounting the Followspot:**

1. Erect the base and lock the casters.
2. Loosen the knob on the base pole.
3. Lift the followspot head and align so it is directly over the yoke mount housing.
4. Carefully lower until seated then tighten the tilt knob as desired.

The ZOT Jr. is supplied with a NEMA 5-15 connector for use in North America. Please ensure it is correct for the receptacle being used.

For other electrical requirements, Lycian can factory install connectors or ship a bare ended power cord.

**Cleaning & General Maintenance:**

Periodic Maintenance can ensure optimal performance and avoid issues before they occur. Always perform maintenance to a unit that is disconnected from power and is cold.

Clean optics with an approved lens cleaning solution. Keep vents and fans free of dust and other dirt. Adequate ventilation is required for proper operation of the power supply and LED engine.

Visually inspect wiring and other components for visible damage. If found, contact Lycian Stage Lighting's electrical technicians for advice on repair or replacement.

**Spare Parts:**

All the components in the ZOT Jr. are available from Lycian or through your authorized Lycian distributors. Avoid use of aftermarket products, as they may not be built to Lycian standards and could be dangerous or may void the warranty.

Only cardboard color frames are to be used. Any others will interfere with the operation of the unit.

**Warranty:**

All Lycian followspots are backed by a limited three-year warranty against defects in workmanship and materials. A complete warranty is sent with every new unit. For more information, please contact the authorized Lycian distributor from whom you made your purchase.