

THE LED SERIES

Zot LED



A dependable LED followspot that balances **performance** and **affordability**

The Zot LED builds on the success of the original Zot line, offering the benefits of green technology along with exceptional light output. This affordable followspot delivers high-quality beam performance without compromise. Featuring a cool-running design and no need for lamp changes, the Zot LED also offers the renowned durability of Lycian. It's a reliable performer across a range of applications.

Followspot Features:

- 350 Watt LED
- Internal Electronic Flicker Free Power Supply
- New Trombone for Impressive 3 to 1 Spot Zoom Ratio
- Ultra-smooth Mechanical Dimmer
- Fine Focus to Soften & Harden Edge
- Zoom Optics
- Internal 5-Color Boomerang
- Single Quiet Fan

All Zot LED followspots include the Head, Yoke and 3-Legged Fixed Base with Casters



Photometrics:

Distance:

Feet	30'	60'	80'	100'	125'	150'
Meters	9	18	25	30	38	45

Spot Diameter:

Feet	3	6' 4"	8'	10' 6"	13' 3"	15' 8"
Meters	1	2	2.4	3.2	4	4.8

Flood Diameter:

Feet	8	15' 8"	21'	26' 3"	32' 8"	40'
Meters	2.4	4.8	6.4	8	10	12.2

Spot:

Foot Candles	1070	267	150	96	61	43
Lux	11,517	2,874	1,615	1,033	657	463

Flood:

Foot Candles	427	107	60	38	25	17
Lux	4,596	1,151	646	409	269	183

Beam Angle 6° - 15°

CRI: 95

Color Temperature: 3200K (warm)
5000K (cool)

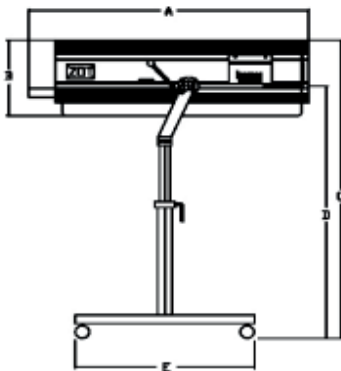
Lamp Type

LED

350-Watts

50,000 Hours

Dimensions & Electrical Compatibility



Dimensions:

- A. Head Length: 43-1/4"
- B. Head Height: 13"
- C. Overall Height w/ Base: 46-1/2"
Add'l upward height adjustment: 13"
- D. Height of Pivot: 39-3/4"
Max Width of Head: 14"
- E. Base Max Width: 30"

Electrical Compatibility:

100V-240V

50 & 60Hz

Auto Switching

Power Cord Length: 12'

UL/CUL Certified