

THE STANDARD SERIES

1239



Ideal Followspot Solution for **Clubs,** **Schools & Small Theatres**

Engineered for precision and performance, this 750-watt condenser follow spotlight delivers smooth, variable beam control with a two-lever optical system.

It includes a heavy-duty A4 iris with an insulated, top-mounted control knob and integrated gobo slot, along with a horizontal shutter for added versatility, along with a top-mounted six-color boomerang with fader.

Lamp and housing temperatures are maintained by a single low-speed, low-volume fan. The housing is built from cold-rolled steel and extruded aluminum, finished in a durable black and grey wrinkle powder coat.

Followspot Features:

- High performance 750-watt lamp
- Flicker free
- Nichrome Iris
- Horizontal Shutter
- Gobo Slot
- Mechanical Fader
- 6-Color Boomerang

All 1239 followspots include the Head, Yoke and 3-Legged Base with Casters



Photometrics:

Distance:

Feet	30'	60'	80'	100'	125'
Meters	9	18	25	30	38

Min. Spot Diameter:

Feet	3.5"	7"	9"	1'	1' 2"
Meters	8.9 cm	19 cm	22.9 cm	30.5 cm	35.5 cm
Foot Candles	544	136	77	49	31
Lux	5,856	1,464	829	527	334

Small Spot Diameter:

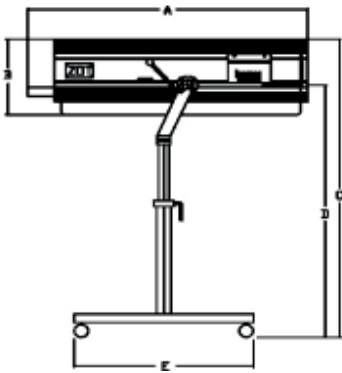
Feet	3'	5' 10"	7' 9"	9' 8"	12'
Meters	.9	1.8	2.4	3	3.7
Foot Candles	544	136	77	49	31
Lux	5,856	1,464	829	527	334

Max Flood Diameter:

Feet	6' 10"	13' 8"	18' 3"	22' 9"	28' 5"
Meters	2.1	4.2	5.6	6.9	8.7
Foot Candles	163	41	23	15	9
Lux	1,755	441	248	161	97

Beam Angle 6° - 13°

Dimensions & Electrical Compatibility



Dimensions:

- Head Length: 42-1/8"
- Head Height: 14"
- Overall Height w/ Base: 50"
- Add'l upward height adjustment: 13"
- Height of Pivot: 40"
- Base Width: 39"
- Maximum Width of Head: 16"

Electrical Compatibility:

- 100V-120V
- 6.25A
- Power Cord Length: 12' (3.6m)
- NEMA 5-15 connector