

MINI-ARC

MODEL 1233



THE MOST COST EFFICIENT HMI TYPE FOLLOWSPOT

The Mini-Arc is a compact followspot utilizing a 200 watt HMI/MSR single ended bulb. A dichroic glass reflector makes for a smooth, clean beam. Features include a six color boomerang, dowser, gobo slot, fine focus and fully closing iris. The Mini-Arc features a cam operated tilt mechanism. Lamp changes require no tools. The Mini-Arc does not require forced air cooling, so no fans, no noise! The Lycian Mini-Arc offers an arc

lamp followspot at a quartz halogen price! Perfect for schools, churches, clubs, small theatres and corporate events.

FEATURES

- 200 Watt HMI/MSR Lamp
- 6-Color Boomerang
- Dowser
- Fully Closing Iris
- Gobo Slot
- Fine Focus Control
- Silent, Cool No Fan Operation
- 2 Year Limited Warranty
- Optional Timer



LYCIAN
STAGE LIGHTING

The luminaire shall be a 200 watt follow spotlight designed to accept only 200 watt, single ended, HMI type arc discharge lamps. A fixed focus optical system shall be employed and include a fine focus external control. A nichrome heavy-duty, fully closing iris with insulated, top mounted control knob and gobo slot shall be included. Units with non fully closing irises shall not meet this specification and shall not be accepted. Only optical grade lenses shall be provided. A dichroic coated glass reflector shall be included. A six (6) color, top mounted boomerang with dowsers shall also be included. Units with front mounted color booms shall not be accepted. Lamp and color access shall be via removing four (4) thumb screws and lifting the cover up and off of the spotlight. Removing the spotlight top shall activate a safety switch and shut off power. The power supply shall be of the magnetic type, assembled as a module and mounted through the bottom of the spotlight. Removing the spotlight top shall activate a safety switch and shut off power.

Power and control is via an "on/off" rocker-type switch, 5 amp circuit breaker and line cord, terminated in a NEMA 5-15 (15 amp parallel blade U-ground Male) connector. Lamp and housing temperature requirements shall be met with convection air flow. Units with fans shall not be accepted. Current draw at 120 volts AC shall not exceed 10 amperes. The housing shall be constructed of cold rolled steel and extruded aluminum, finished with a power coating of black wrinkle with red trim. Housing dimensions shall not exceed 34"(L) x 16"(H) x 14"(W), including all controls (however not including the height of the yoke). Net weight of the housing shall not exceed 67 lbs. The yoke shall allow for a 56 degree downward and a 56 degree upward tilt. The floor stand shall be of the three legged collapsing type, with locking casters, and not to exceed 12 lbs. An optional Hour timer kit shall be available. Photometric data shall conform to the table provided. The luminaire shall be a Lycian Stage Lighting Mini-Arc Model 1233.

PHOTOMETRICS

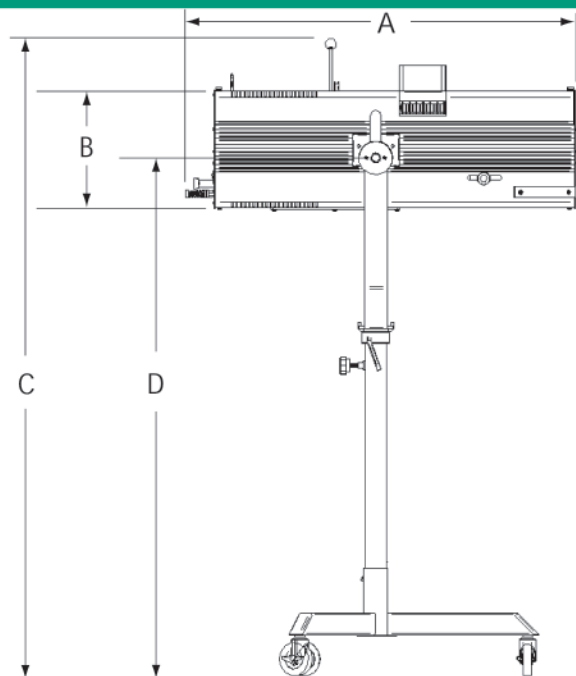
Measurements were taken with a Minolta CL-200 light meter @80'

Throw	40ft.	60ft.	80ft.	100ft.	125ft.
Minimum Spot					
Footcandles	580	258	145	93	59
Diameter	8"	12"	16"	20"	25"
Maximum Spot					
Footcandles	580	258	145	93	59
Diameter	3'-7"	5'-4"	7'-2"	9'-0"	11'-2"

ORDERING CODE 1233

1233 - Mini-Arc

Dimensions



- A. Head length including rear follow handle - 34"
- B. Head Height - 16"
- *C. Overall height with base - 58-1/2"
- *D. Height of pivot - 47-1/4"

*(Additional upward height adjustment of 13")

- Width of base - 27"
- Maximum width of head, including controls - 14"
- Head weight - 67 lbs.
- Base weight - 18.0 lbs.



LYCIAN
STAGE LIGHTING

PO Box 214 Kings Highway, Sugar Loaf, NY 10981-0214

Phone: 845-469-2285 • Fax: 845-469-5355 • Website: www.Lycian.com