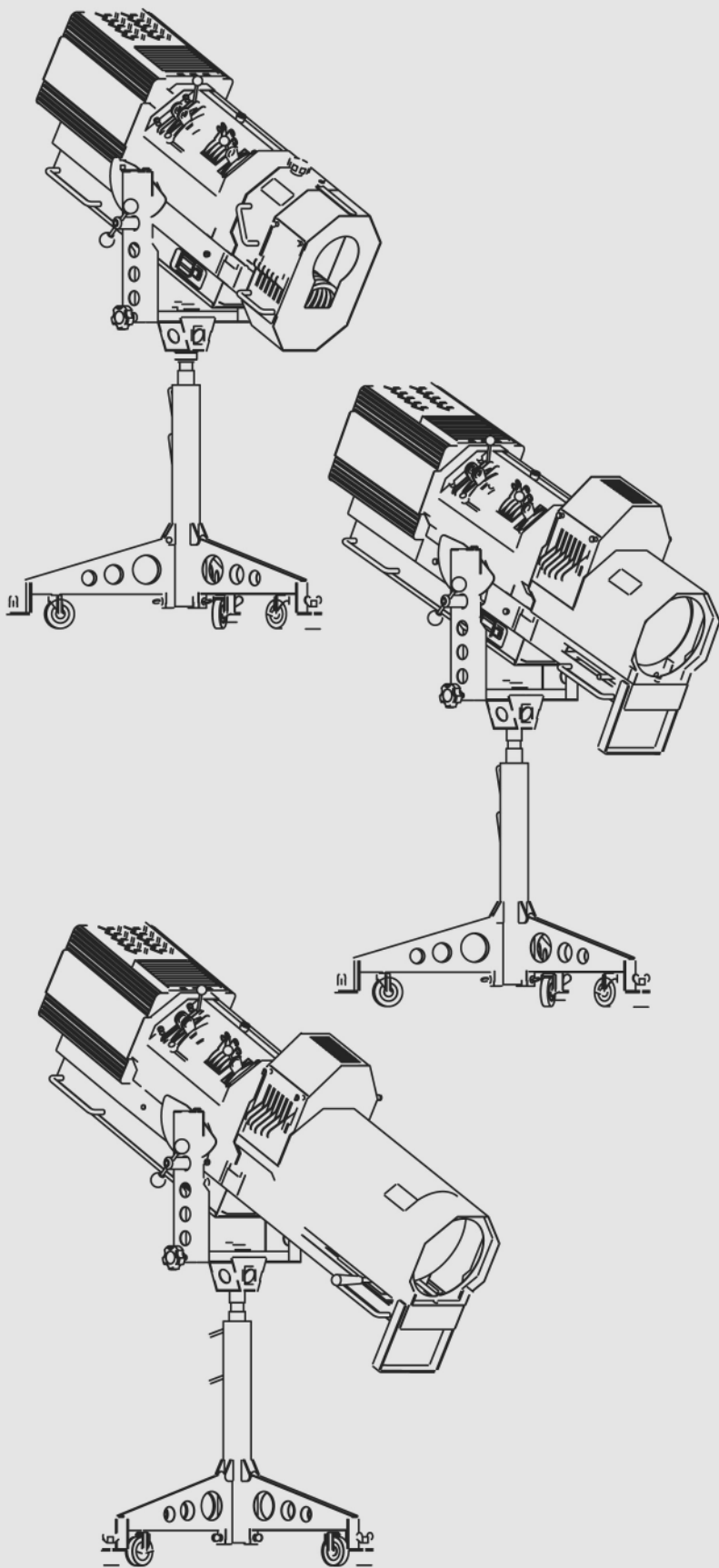


PARTS CATALOG



MODULAR M2
Followspot System



LYCIAN
STAGE LIGHTING

P.O. Box D • Sugar Loaf, NY 10981

Phone: 845•469•2285

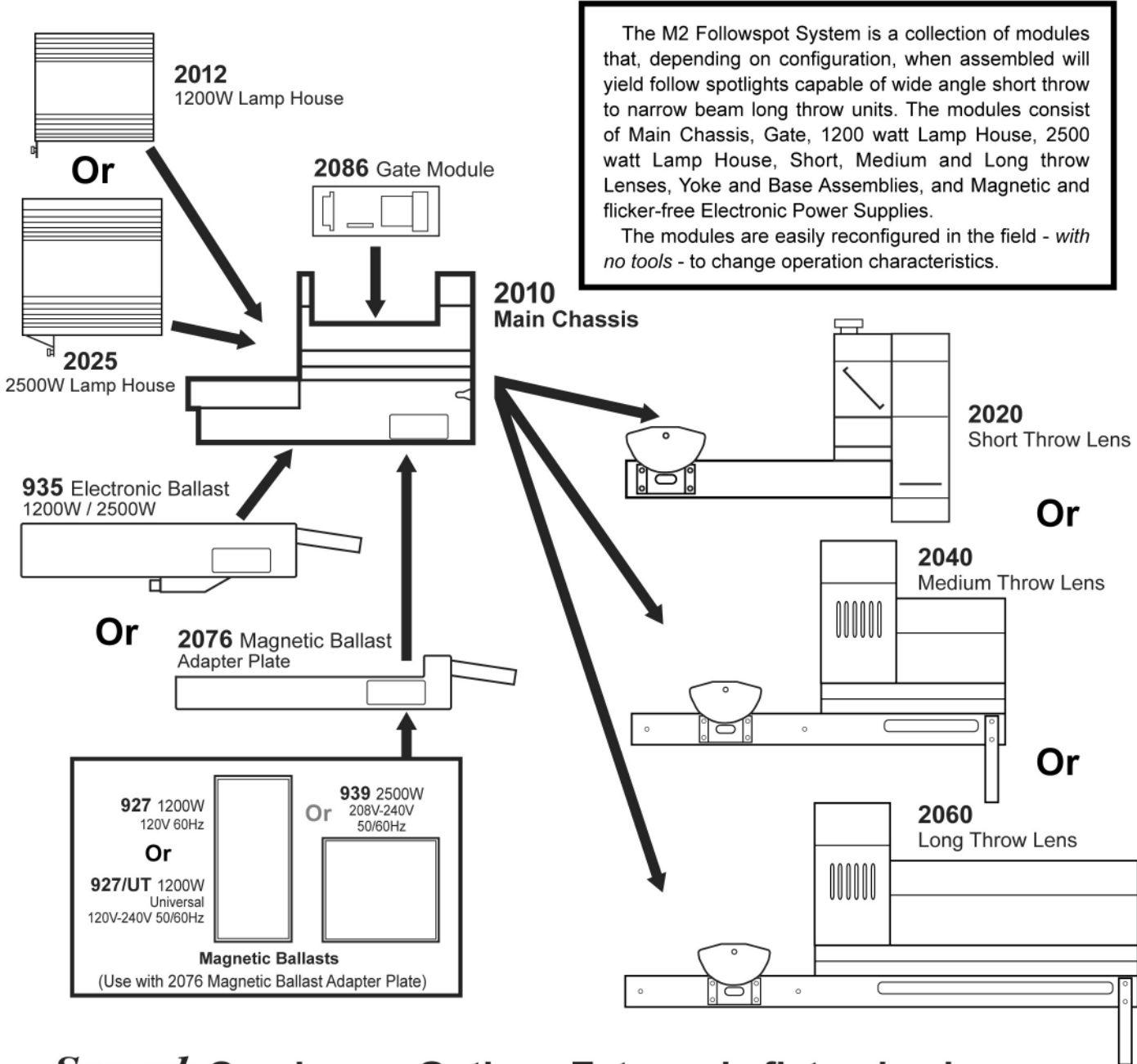
Fax: 845•469•5355

www.lycian.com

Lycian M2 Modular Followspot System

There is nothing like this system in the followspot industry . . .

Great for - Touring • Professional Theatres • TV • Concert Truss Mounts • Rentals - and more!



The M2 Followspot System is a collection of modules that, depending on configuration, when assembled will yield follow spotlights capable of wide angle short throw to narrow beam long throw units. The modules consist of Main Chassis, Gate, 1200 watt Lamp House, 2500 watt Lamp House, Short, Medium and Long throw Lenses, Yoke and Base Assemblies, and Magnetic and flicker-free Electronic Power Supplies. The modules are easily reconfigured in the field - *with no tools* - to change operation characteristics.

Superb Condenser Optics - Extremely flat, crisp beam.

Highest quality system in the followspot industry with features such as:

- Heavy duty iris- with heat shield
- Variable or fixed focus (at the flip of a lever)
- Square shutter
- 4-color dichroic color changer
- Fader
- 6-lever color boomerang
- Gobo holder
- Variable frost filter
- Left or Right hand operation.

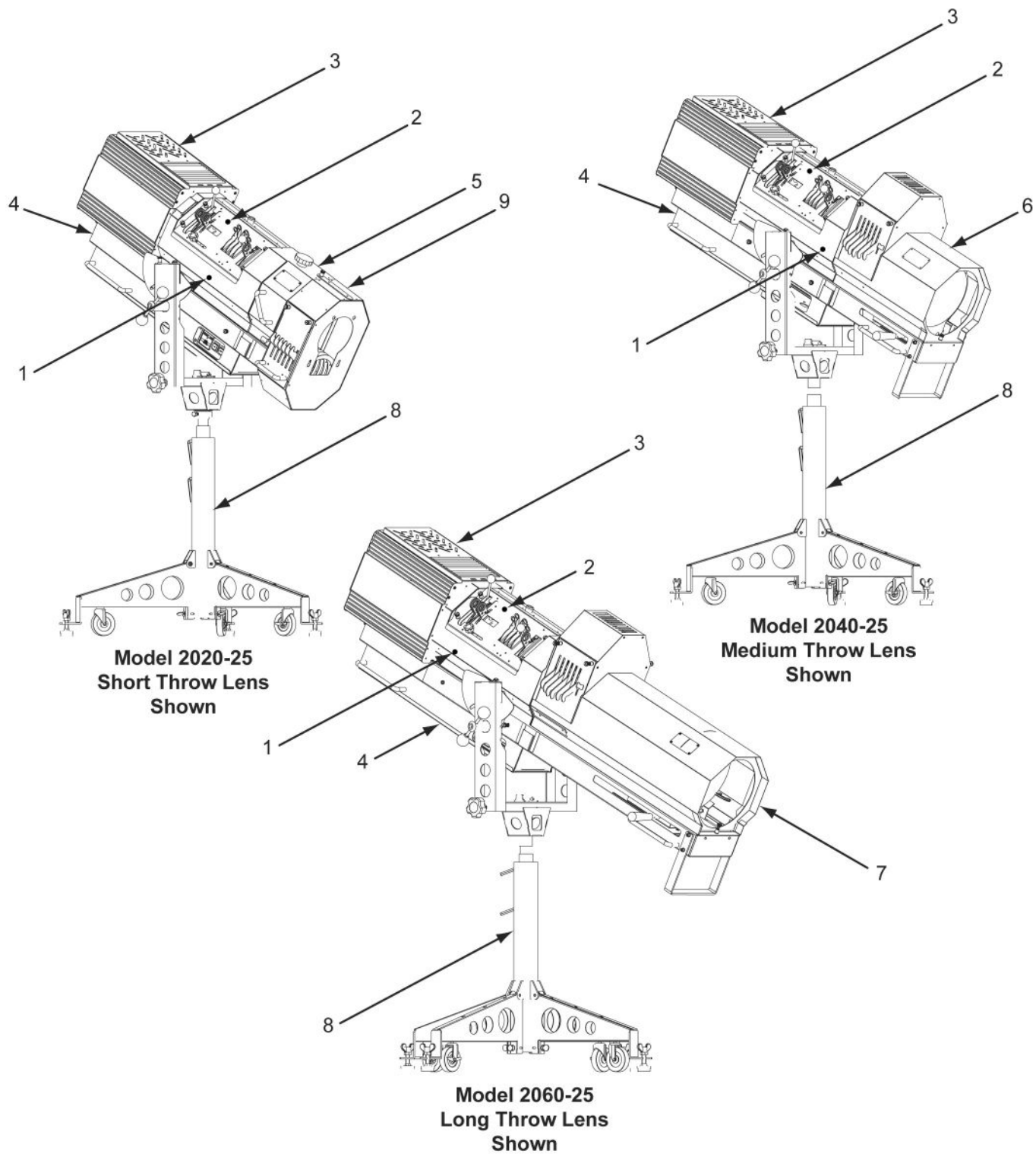


Figure 1. M2 Modular Followspot System Configurations

INDEX NUMBER	PART NUMBER	DESCRIPTION
Figure 1		M2 Modular Followspot Configurations
1	2010	Power Chassis Assembly (See Figure 2 for breakdown)
2	2086	Gate Module Assembly (See Figure 3 for breakdown)
3	2012 or 2025	Lamphouse Assembly (See Figure 4 for Model 2012 breakdown) (See Figure 5 for Model 2025 breakdown)
4	935 or 2076	Ballast Assembly (See Figure 6 for Model 935 breakdown)
5	2020	Short Throw Lens Assembly (See Figure 7 for breakdown)
6	2040	Medium Throw Lens Assembly (See Figure 10 for breakdown)
7	2060	Long Throw Lens Assembly (See Figure 11 for breakdown)
8	1315 or 1315-4	Base Assemblies (See Figure 13 for breakdown)

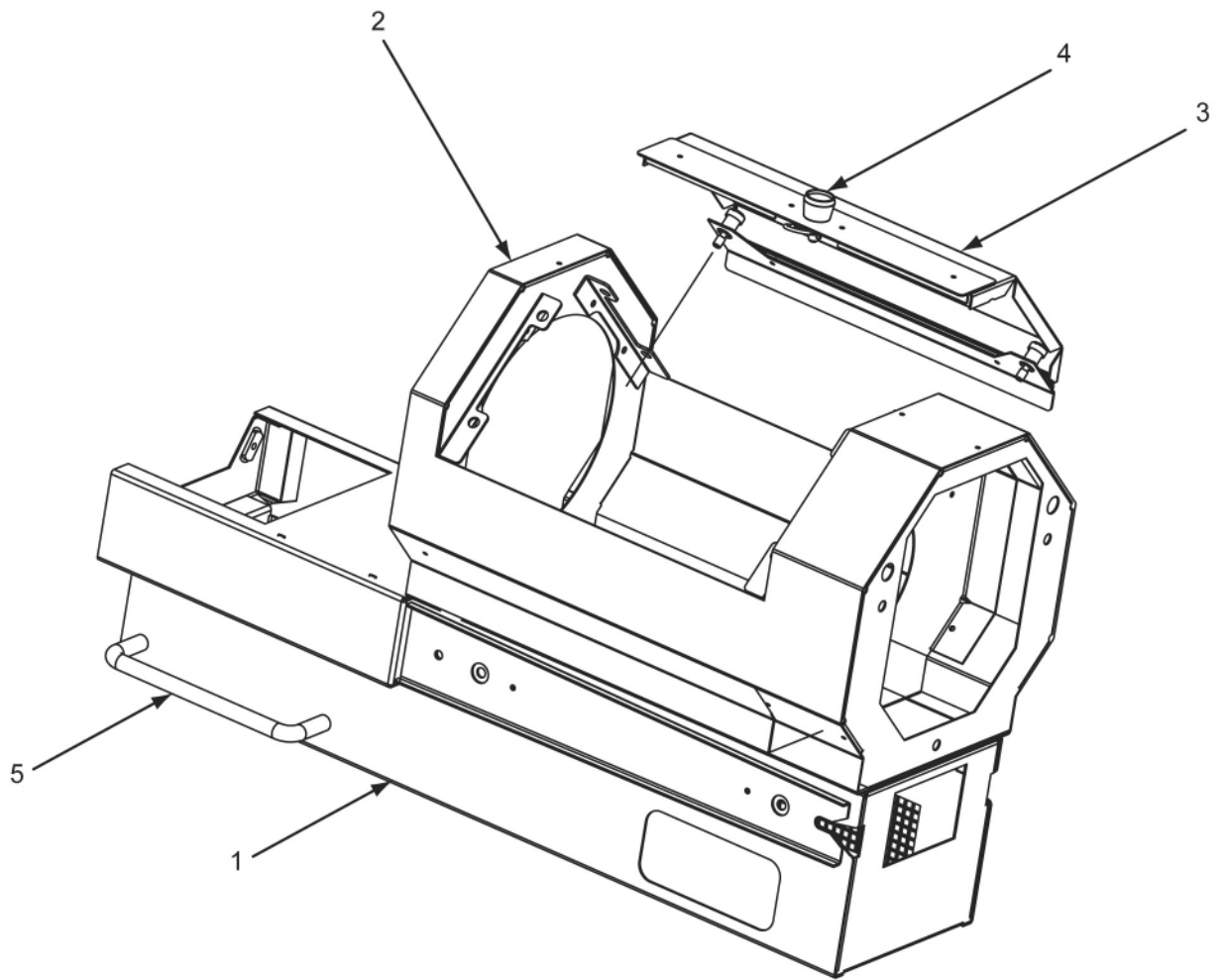


Figure 2. Model 2010 Power Chassis Assembly

INDEX NUMBER	PART NUMBER	DESCRIPTION	QUANTITY
Figure 2	2010	Power Chassis Assembly	1
1	20101	Power Box Assembly	1
2	20102	Main Chassis Gate Housing Assembly	1
3	20103	Gate Door	1
4	354	Knob, Black, Spring Latch	1
5	127534	Handle, 7 inch	1

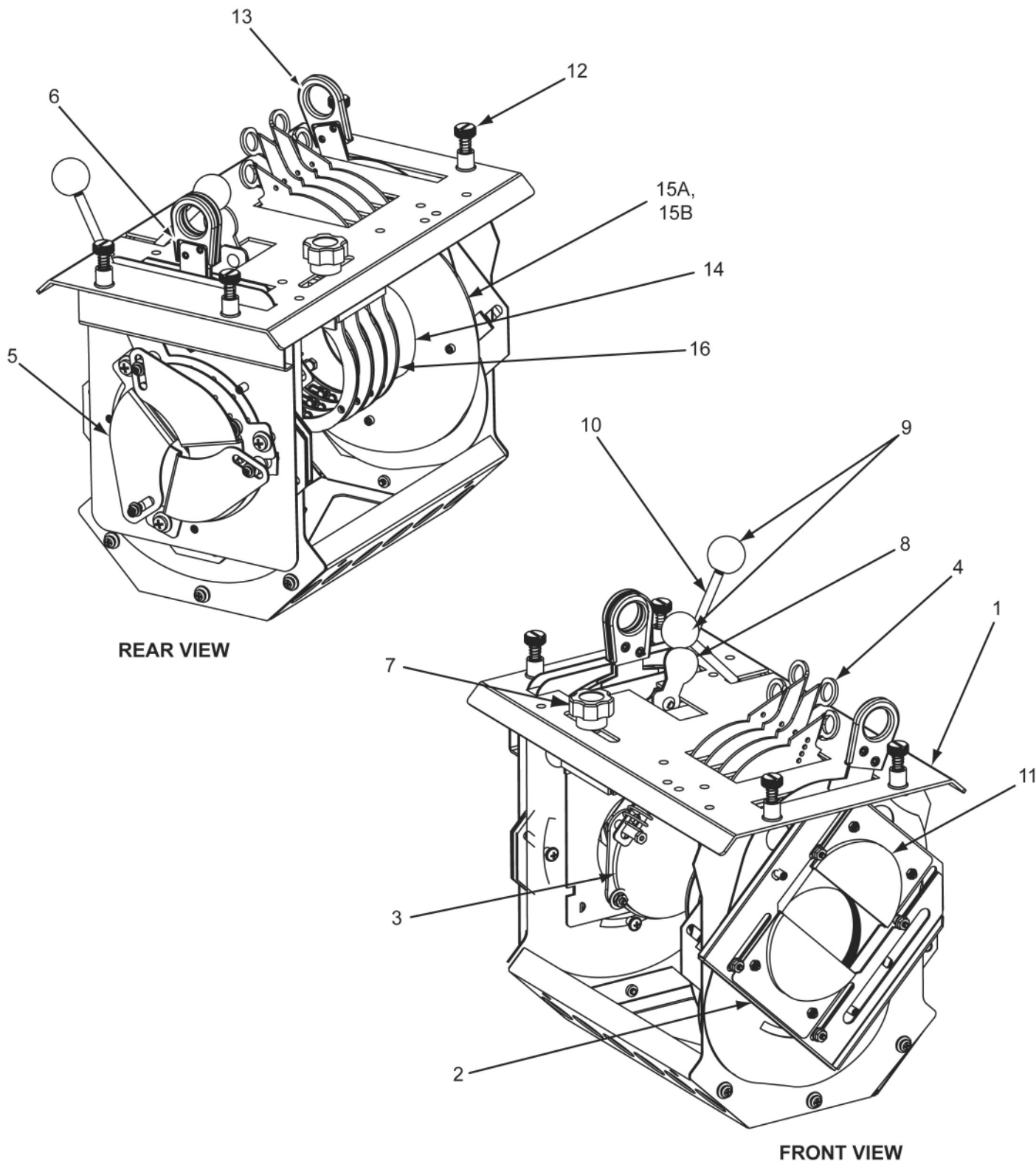


Figure 3. Model 2086 Gate Module Assembly

INDEX NUMBER	PART NUMBER	DESCRIPTION	QUANTITY
Figure 2	2010	Power Chassis Assembly	1
1	20101	Power Box Assembly	1
2	20102	Main Chassis Gate Housing Assembly	1
3	20103	Gate Door	1
4	354	Knob, Black, Spring Latch	1
5	127534	Handle, 7 inch	1

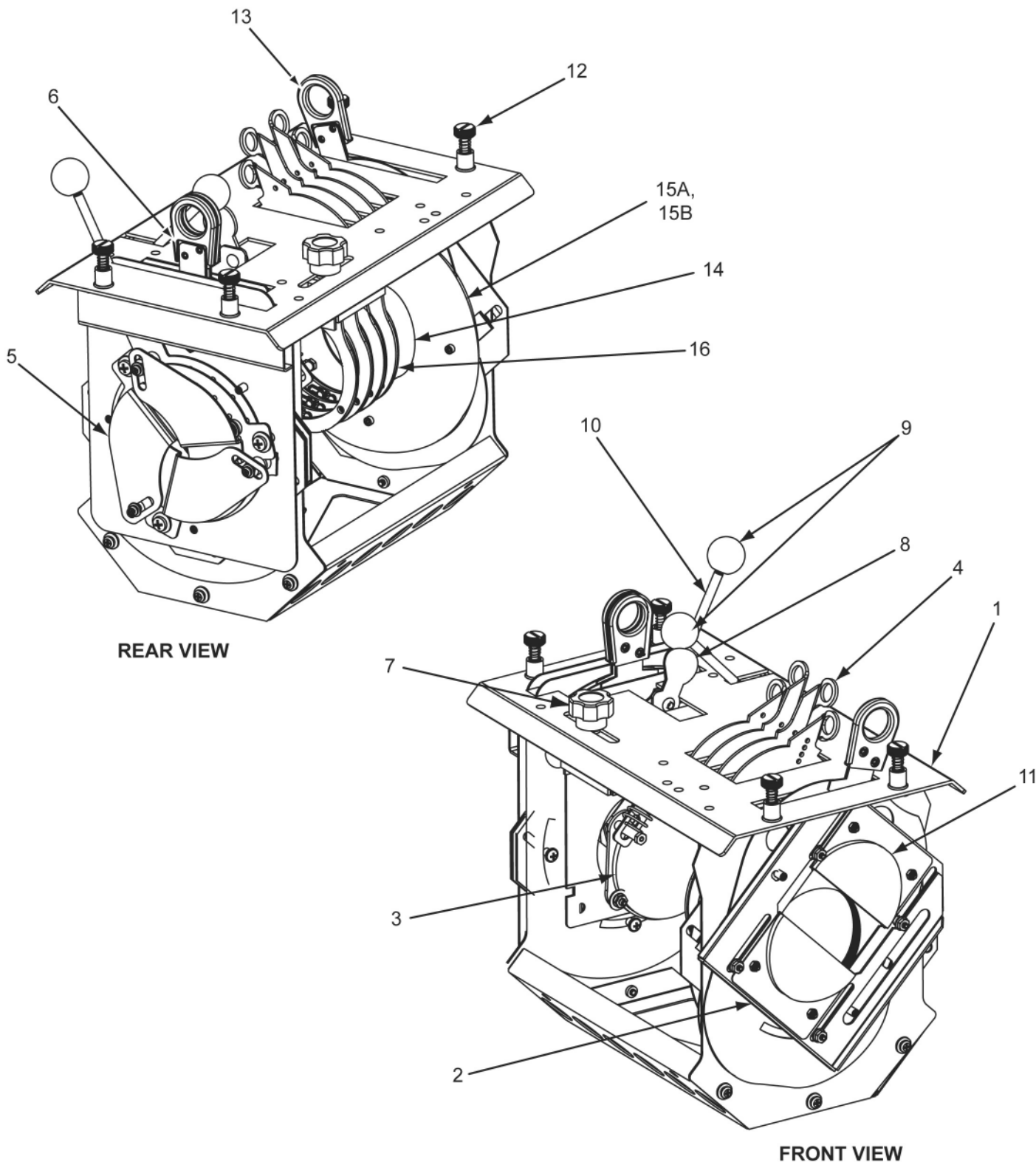


Figure 3. Model 2086 Gate Module Assembly

INDEX NUMBER	PART NUMBER	DESCRIPTION	QUANTITY
Figure 3	2086	Gate Module Assembly	1
1	20867	Gate Top Assembly	1
2	20864X	Fader Frost Assembly	1
3	504	Lens, 3-1/2" Dia. x 8" FPC	1
4	2003	Dichroic Color Boom	1
5	9001	Iris Assembly	1
6	20852X	Shutter (Less Iris Assembly)	1
7	506	Knob, Focus, Green	1
8	20863X	Flip Lens Trolley and GOBO Assembly	1
9	120659	Knob, Ball, 1", 1/4-20 Thread	2
10	208646	Fader Shaft Weldment Assembly	1
11	208536	Glass, Frost, Half	2
12	126659	Southco Fastener Kit	4
13	259	Shutter Handle, R1/8 x 1/8P	As Req.
14	208533	Dichroic Heat Filter (Glass only)	1
15A	208637X	Dichroic Heat Filter with frame (Model 2086 only)	1
15B	208537X	Dichroic Heat Filter with frame (Model 2085 only)	1
16	1301	Dichroic Filter Ring, Removable Half	4

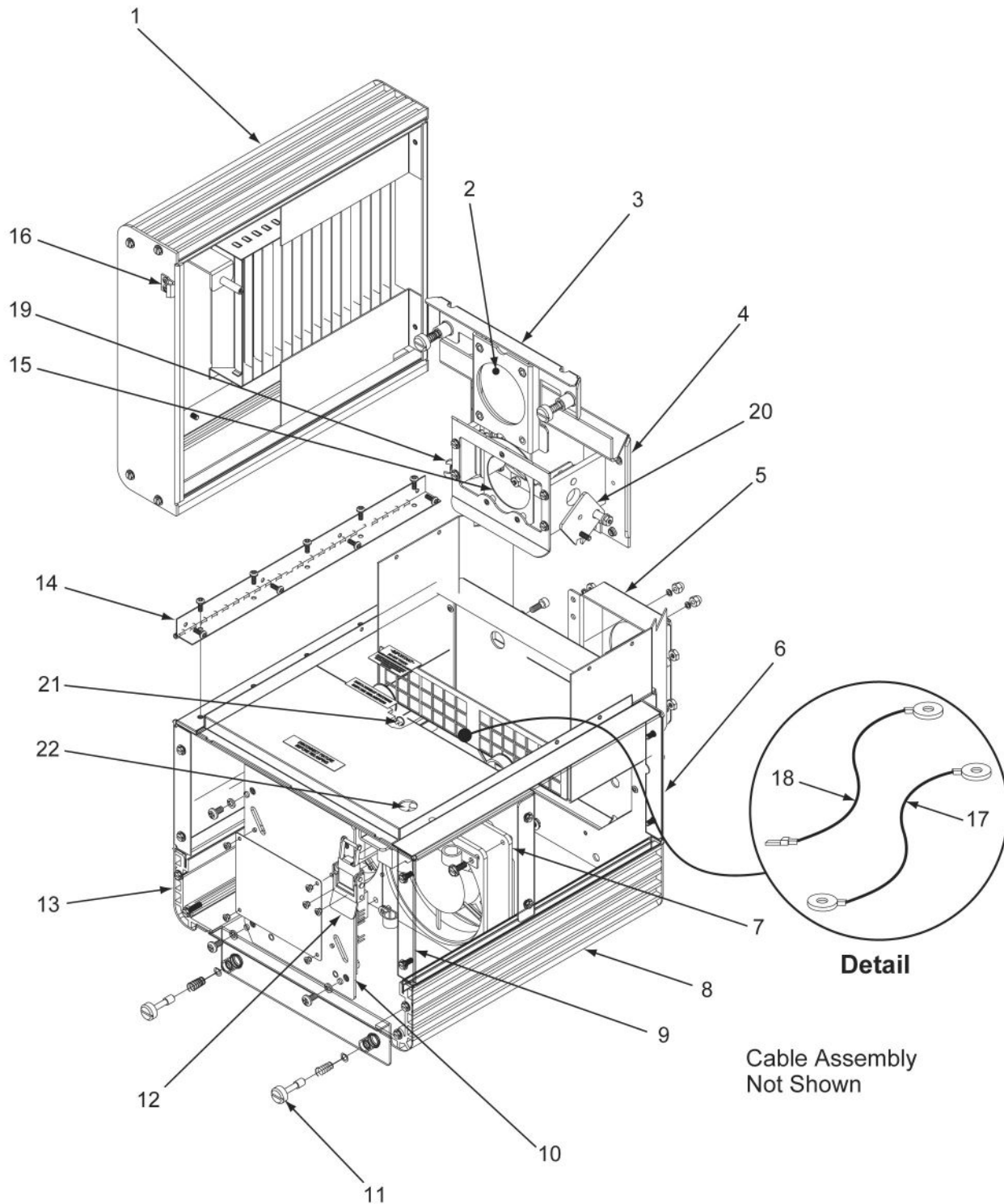


Figure 4. Model 2012 Lamphouse Assembly

INDEX NUMBER	PART NUMBER	DESCRIPTION	QUANTITY
Figure 4	2012	1200 Watt Lamphouse	1
1	20122	Lamphouse Top Assembly	1
2	488	Condenser Lens	1
3	201235	Condenser Lens Assembly	1
4	20124	Lens Plate Assembly	1
5	202533	Lens Snoot	1
6	201210	Front Partition	1
7	481	Fan, 24VDC	2
8	201216	Extrusion, Right Hand	1
9	201211	Rear Partition, Weldment	1
10	918	1200 Watt Ignitor	1
11	126659	Housing Fastener, 3 Part	2
12	496	Draw Catch	1
13	201215	Extrusion, Left Hand	1
14	202550	Hinge, 13.75 Inch Long	1
15	202553	Reflector	1
16	4965	Draw Strike	1
17	201242	High Voltage Wire	1
18	201241	Low Voltage Wire	1
19	201231	Insulator, Left Lamp, with contact	1
20	201240	Insulator, Right Lamp, with contact	1
21	8611814	Thermo disc, 70° C	1
22	127144	Switch, safety	1

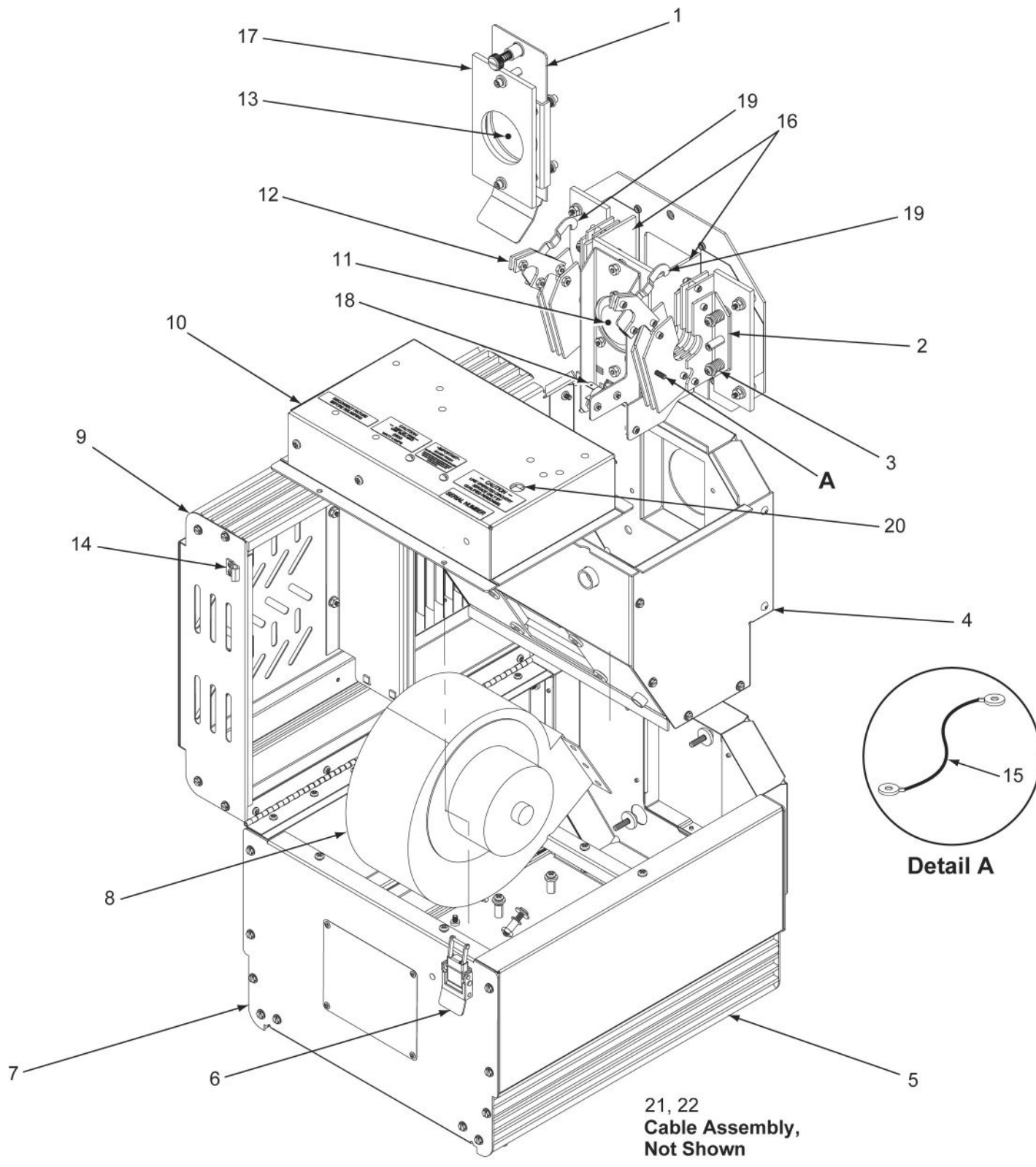


Figure 5. Model 2025 Lamphouse Assembly

INDEX NUMBER	PART NUMBER	DESCRIPTION	QUANTITY
Figure 5	2025	2500 Watt Lamphouse	1
1	202554	Condenser Lens Assembly	1
2	202547	Right Side Lamp Contact Fins Assembly	1
3	8LC 047EF5SS	Spring, 3/4"	4
4	20255	Inner Lamphouse Assembly	1
5	202516	Extrusion, Right Hand	1
6	496	Draw Catch	1
7	202515	Extrusion, Left Hand	1
8	403-240	Blower, 134 CFM, 240V	1
9	20252	Lamphouse Top Assembly	1
10	922	New 2500 Watt Ignitor	1
11	202553	Reflector	1
12	202546	Left Side Lamp Contact Fins Assembly	1
13	488	Lens	1
14	496S	Draw Strike	1
15	202544	High Voltage Wire - See DETAIL A	2
16	202543	Heat Shield, Lamp contact, Right and Left	1
17	202542	Heat Shield, with Lens and reflector	1
18	8611821	Thermo disc, 120° C	1
19	2025464	Hook, contact	2
20	127144	Switch, Safety	1
21	8211772-1	Plug, 19-pin	1
22	866099-2	Pin, Male, Type L	1

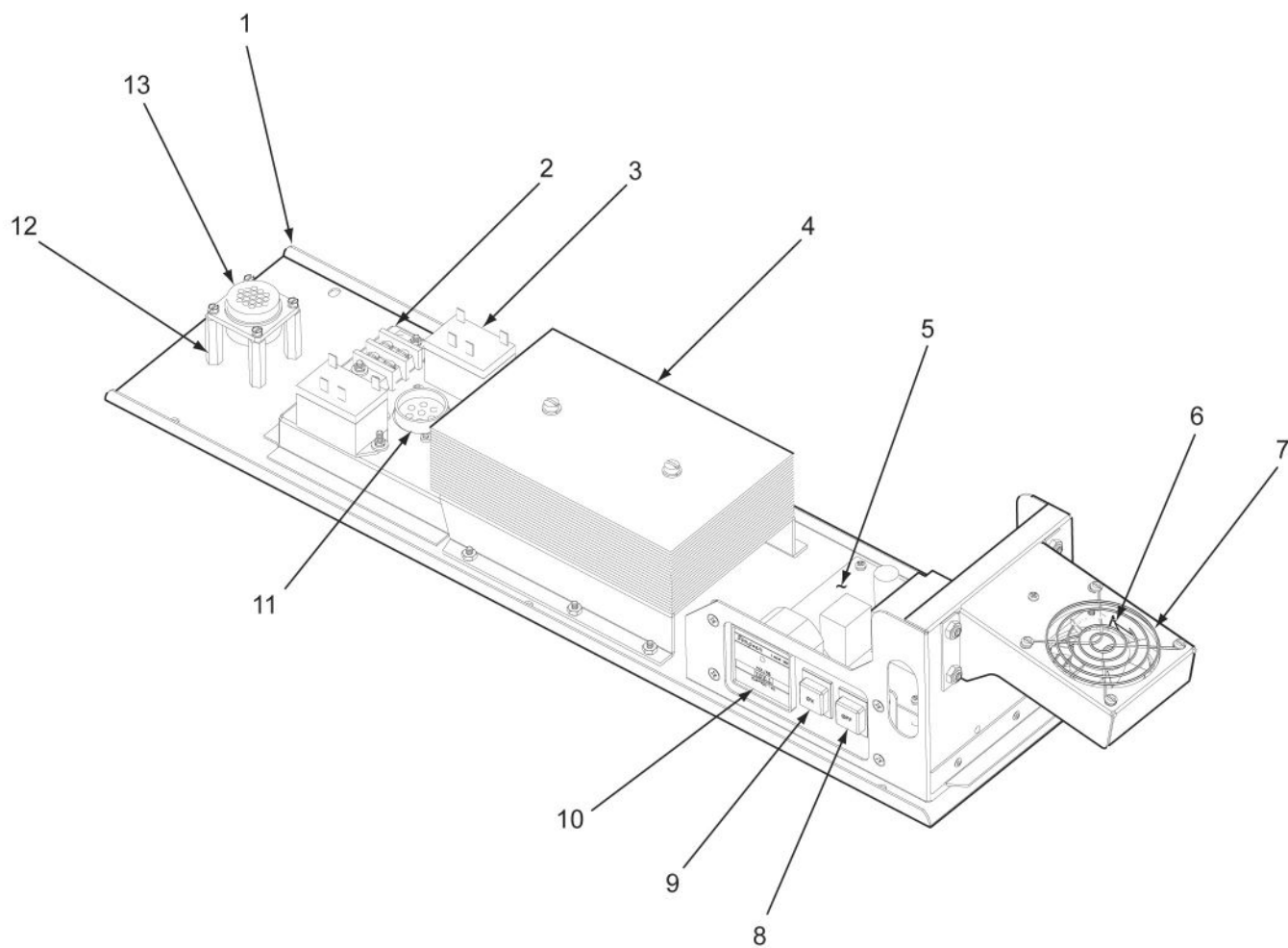


Figure 6. Model 2076 Magnetic Ballast Assembly

INDEX NUMBER	PART NUMBER	DESCRIPTION	QUANTITY
Figure 6	2076	Magnetic Adapter Plate Assembly	1
1	207610	Adaptor Plate Weldment	1
2	89-8	Terminal Block, 2 Position	1
3	89-32	Relay, 30A, 24VDC, Chassis	2
4	207613	Adaptor Weight Weldment	1
5	20761X	2076 PCB Assembly	1
6	498	Fan, 24V, 40CFM	1
7	120638A	Fan Guard, 3 Inch	2
8	248	ON Push Button	1
9	249	OFF Push Button	1
10	229	Meter	1
11	89-12	Connector, 7 pin, Male, Veam	1
12	82254-832-N	Standoff, #8-32 x 3/8" x 1-1/2" Long, Hex, Nylon	4
13	8211773-1	Receptacle, 19 Pin, Flanged, AMP	1
14	866101-2	Pin, Female, Type L	1

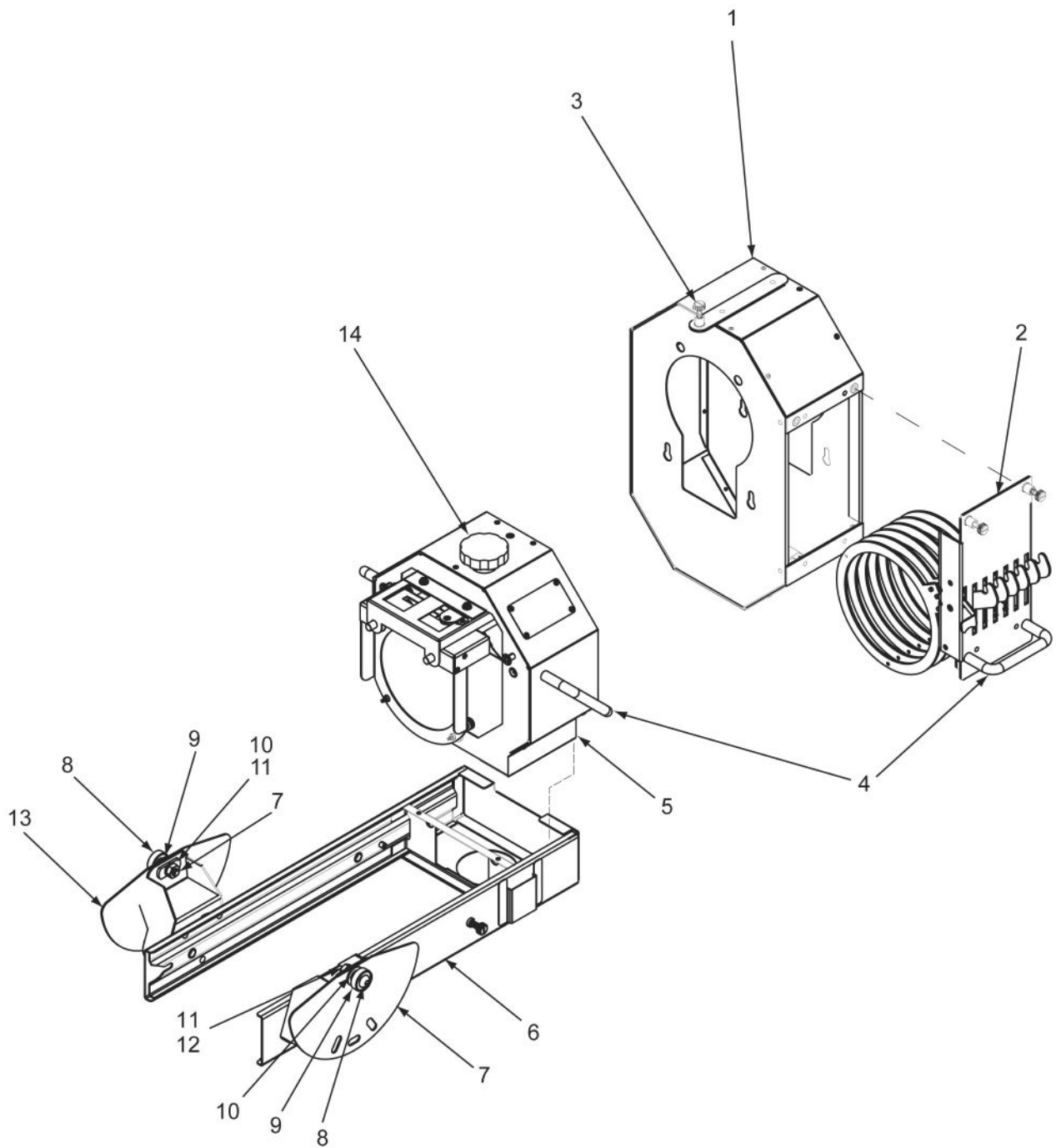


Figure 7. Model 2020 Short Throw Lens Assembly

INDEX NUMBER	PART NUMBER	DESCRIPTION	QUANTITY
Figure 7	2020	Short Throw Lens Assembly	1
1	2002	Front Mounted Color Boom	1
2	20022X	Front Color Boomerang Assembly (See Fig. 8 for Breakdown)	1
3	126659	Housing Fastener, 3 Part	1
4	309	Handle, Aluminum, 4 Inch	2
5	20202X	Front Trolley Assembly, with Lens (See Figure 9 for Breakdown)	1
6	20201X	Chassis, Short Throw Assembly	1
7	2006	Yoke Mount, Right Side	1
8	F3/8-16X11/2	Bolt, 1/8-16 x 1-1/2 " Long, Button Head	2
9	375	Bearing, Yoke, 3/8" ID	2
10	81248-38-A	Spacer, Bearing, 5/8" D x 1/4" Long, Aluminum	2
11	N3/8-16	Nut, 3/8-16 Hex	2
12	W3/8SL	Washer, Lock, 3/8" Split	2
13	2005	Yoke Mount, Left Side	1
14	448	Knob, 2-3/8" Dia.	1

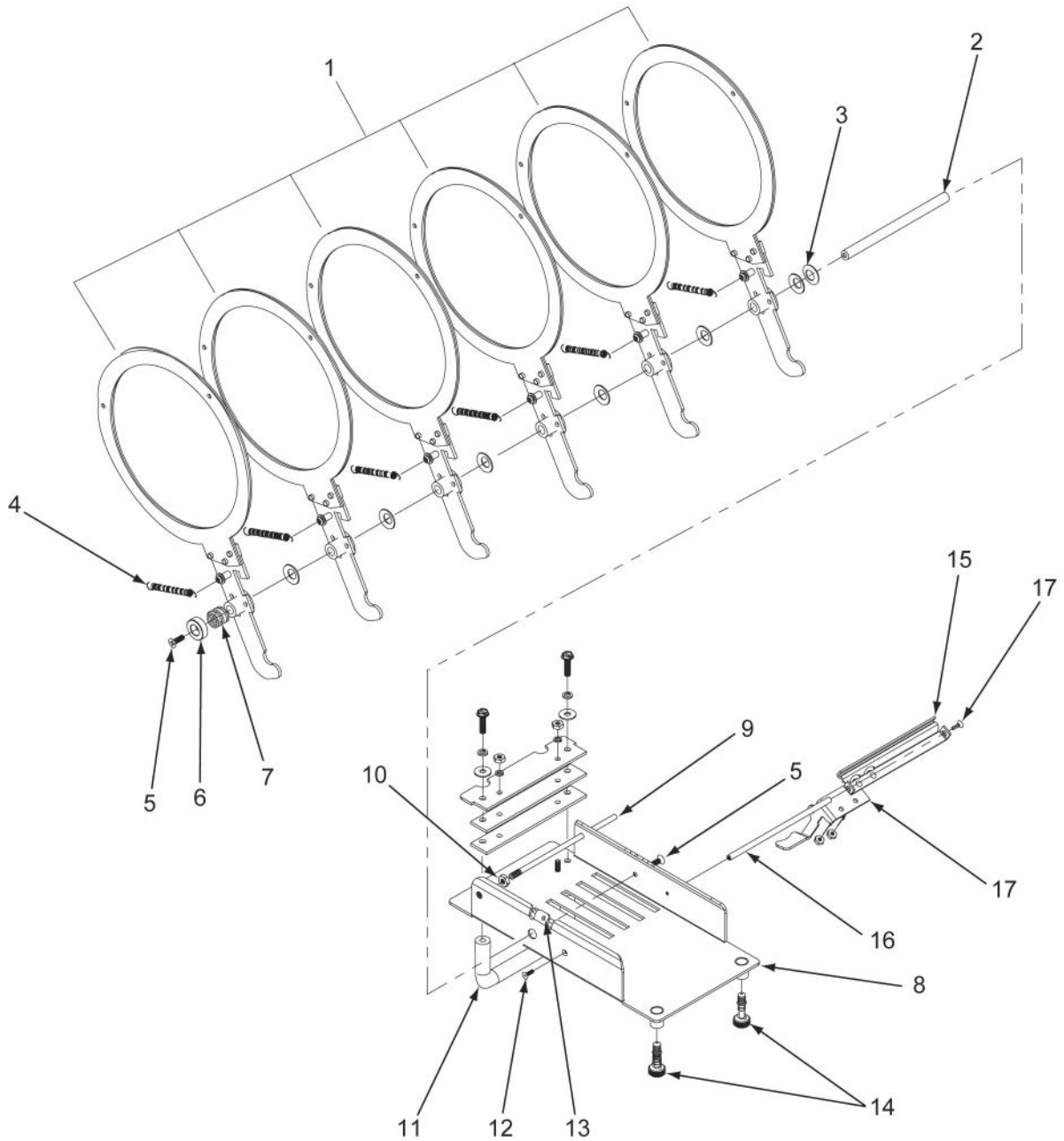


Figure 8. Model 20022X Color Boomerang Assembly

INDEX NUMBER	PART NUMBER	DESCRIPTION	QUANTITY
Figure 8	20022X	Front Color Boomerang Assembly	1
1	200221	Arm, Boom, M2, Short	6
2	81790-832-B	Standoff, #8-32, 5/16" OD x 4.75" Long, Brass	1
3	W3/8SPRING	Washer, Spring, 3/8"	7
4	20021	Spring, Boom, M2, Short	6
5	S8-32X1/2FP	Screw, #8-32 x 1/2" Long, Flat Head, Phillips	2
6	81279-38-A	Spacer, 3/4" OD x 3/8" ID x 1/4" Long, Aluminum	2
7	8LC-045H-0IS	Spring, Brake, Fader	1
8	200216	Boom Plate	1
9	126646CUT 4-15/16	Rod, Color, Cut 4-15/16" Long	1
10	N10-32	Nut, Hex, #6-32	1
11	309	Handle, Aluminum, 4"	1
12	S4-40X3/8SFH	Screw, Socket, Flathead, #4-40 x 3/8" Long	2
13	120657	Spring, Color Boom Release	1
14	126659	Fastener, Housing, 3 Part	2
15	127275	Bar, Clapper, 4.60"	1
16	81631-440-B	Standoff, Brass, #440 x 3/16 OD x 4.75" Long	1
17	127276	Lever, Color Clear	1

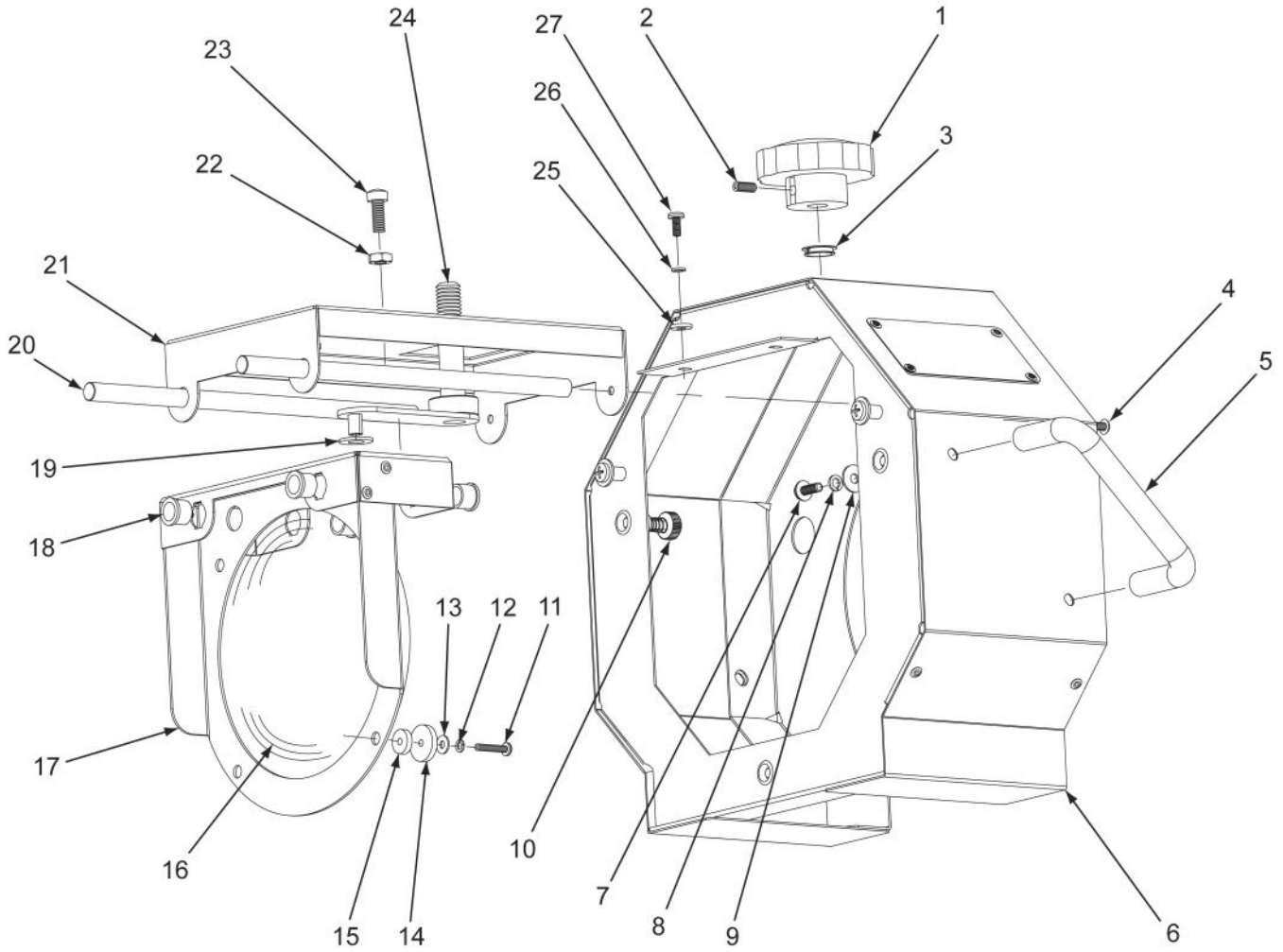


Figure 9. Front Trolley Assembly, With Lens

INDEX NUMBER	PART NUMBER	DESCRIPTION	QUANTITY
Figure 9	20202X	Front Trolley Assembly With Lens	1
1	448	Knob, 2-3/8" Diameter	1
2	S10-32X1/2SS	Screw, 10-32 x 1/2" Long, Socket Set	1
3	429	1/2" Grommet Blue Bearing	1
4	S8-32X3/8BH	Screw, #8-32 x 3/8" Long, Button Head	2
5	309	Handle, Aluminum, 4 Inch	2
6	202016	Housing, Short Throw Assembly	1
7	S10-32X1/2F	Screw, 10-32 x 1/2" Long, Hex Washer Head	4
8	W10SL	Washer, #10, Split Lock	4
9	W10	Washer, #10, Flat	4
10	126659	Housing Fastener, 3 Part	3
11	S6-32X3/4PP	Screw, #6-32 x 3/4" Long, Phillips, Pan Head	4
12	W6SL	Washer, #6, Split Lock	4
13	W6	Washer, #6 Flat	4
14	81277-6-N	Spacer, #6 X 3/4" Dia x 1/8" Long, Nylon	4
15	81215-6-N	Spacer, #6 x 1/2" Dia x 1/8" Long, Nylon	4
16	35026	Lens, 6" x 16	1
17	202011	Front Trolley	1
18	82053	Bushing, 1/2", Heyco	4
19	W5/16F	Washer, 2-1/64" ID x 1-1/16" OD, Fiber	1
20	202013	Rod, Guide, 3/8" Dia x 8-3/8" Long	2
21	202012	Guide, Rod Support	1
22	N1/4-20JAM	Nut, Jam, 1/4-20	1
23	B1/4-20X5/8NYL	Bolt, 1/4-20 x 5/8" Long, Fillister Head, Nylon	1
24	202015	Focus Lever Weldment	1
25	W8	Washer, #8, Flat	2
26	W8SL	Washer, #8 Split Lock	4
27	S8-32X3/8PP	Screw, #8-32 x 3/8" Long, Phillips Pan Head	2

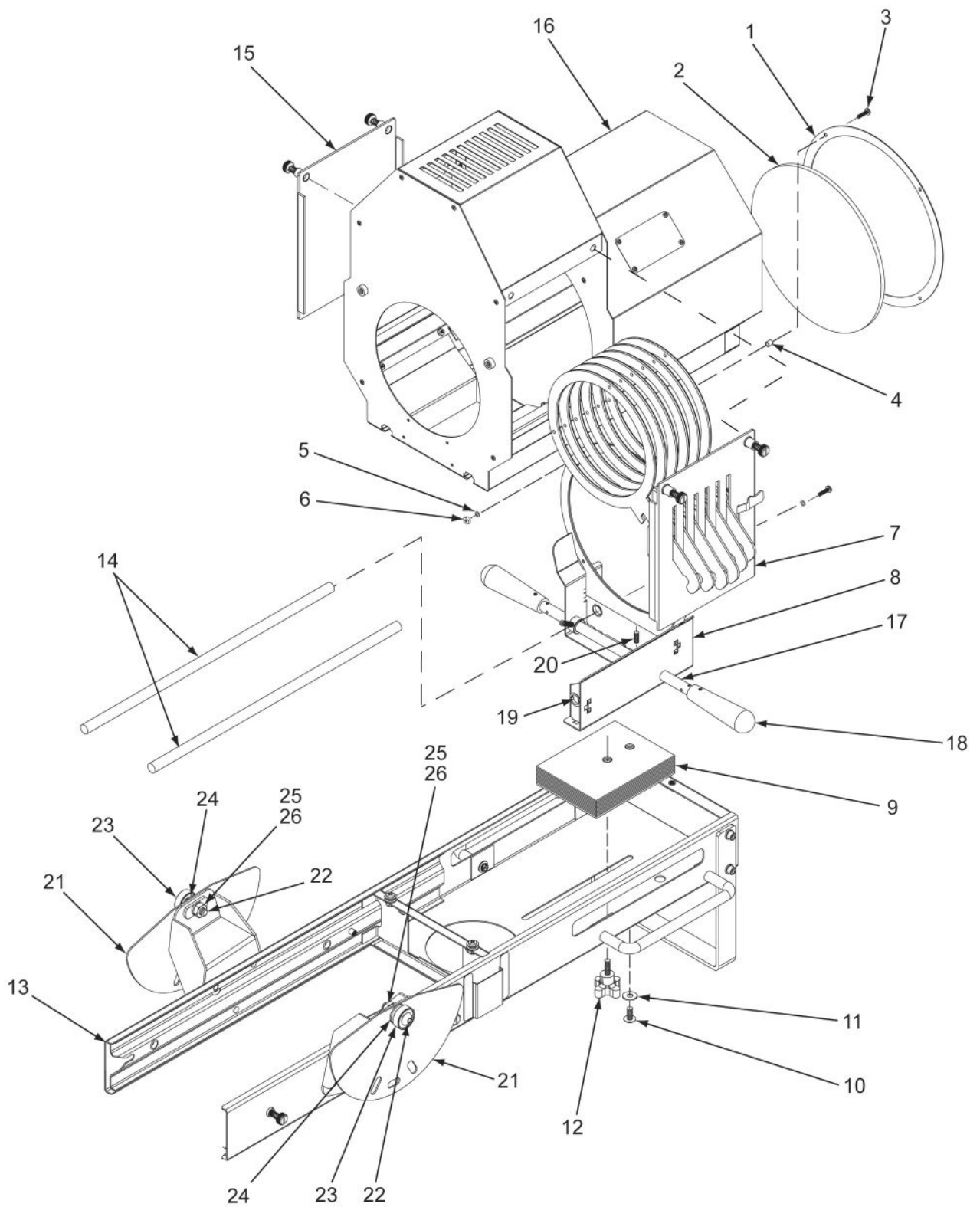


Figure 10. Model 2040 Medium Throw Lens Assembly

INDEX NUMBER	PART NUMBER	DESCRIPTION	QUANTITY
Figure 10	2040	Medium Throw Lens Assembly	1
1	1275102	Front Lens Holder	1
2	127544	Lens, Front, 1275	1
3	S8-32X5/8PP	Screw, #8-32 x 5/8" Long, Phillips, Pan Head	4
4	81124-8-A	Spacer, 1/4" Dia. X 1/4" Long, #8, Aluminum	4
5	W8SL	Washer, #8, Split, Lock	6
6	N8-32	Nut, #8-32, Hex	4
7	2004	Boomerang Assembly, Medium and Long (See Figure 12 for Breakdown)	1
8	20402X	Front Trolley Assembly (Less Lens)	1
9	204020	Weight, Medium Throw (Weldment)	1
10	S1/4-20X5/8PT	Screw, 1/4-20 x 5/8" Long, Phillips, Truss Head	1
11	W1/4	Washer, 1/4" Dia., Regular Series	2
12	494	Knob 1/4-20, Aluminum	1
13	20401X	Chassis, Medium Throw Assembly	1
14	204017	Rod, 1/2" Dia. x 16-1/2" Long, (With 8-32 Tap, One End, 1" Deep)	2
15	200411	Boom Access Cover, With Southco Fasteners	1
16	204012	Hood, Front, Medium Throw	1
17	204018	Front Follow Rod	1
18	35020D	Follow Handle, Drilled, With Set Screw	2
19	429	Grommet, 1/2" Dia., Blue Bearing	3
20	468	Brake, Plunger, Steel	1
21	2007	Yoke Mount Assembly, Medium/Long	1
22	F3/8-16X11/2	Bolt, Button Head, 1/8-16 x 1-1/2" Long	2
23	375	Bearing, Yoke, 3/8" ID	2
24	81248-38-A	Spacer, Bearing, 5/8" D x 1/4" Long, Aluminum	2
25	N3/8-16	Nut, Hex, 3/8-16	2
26	W3/8SL	Washer, Split Lock, 3/8"	2

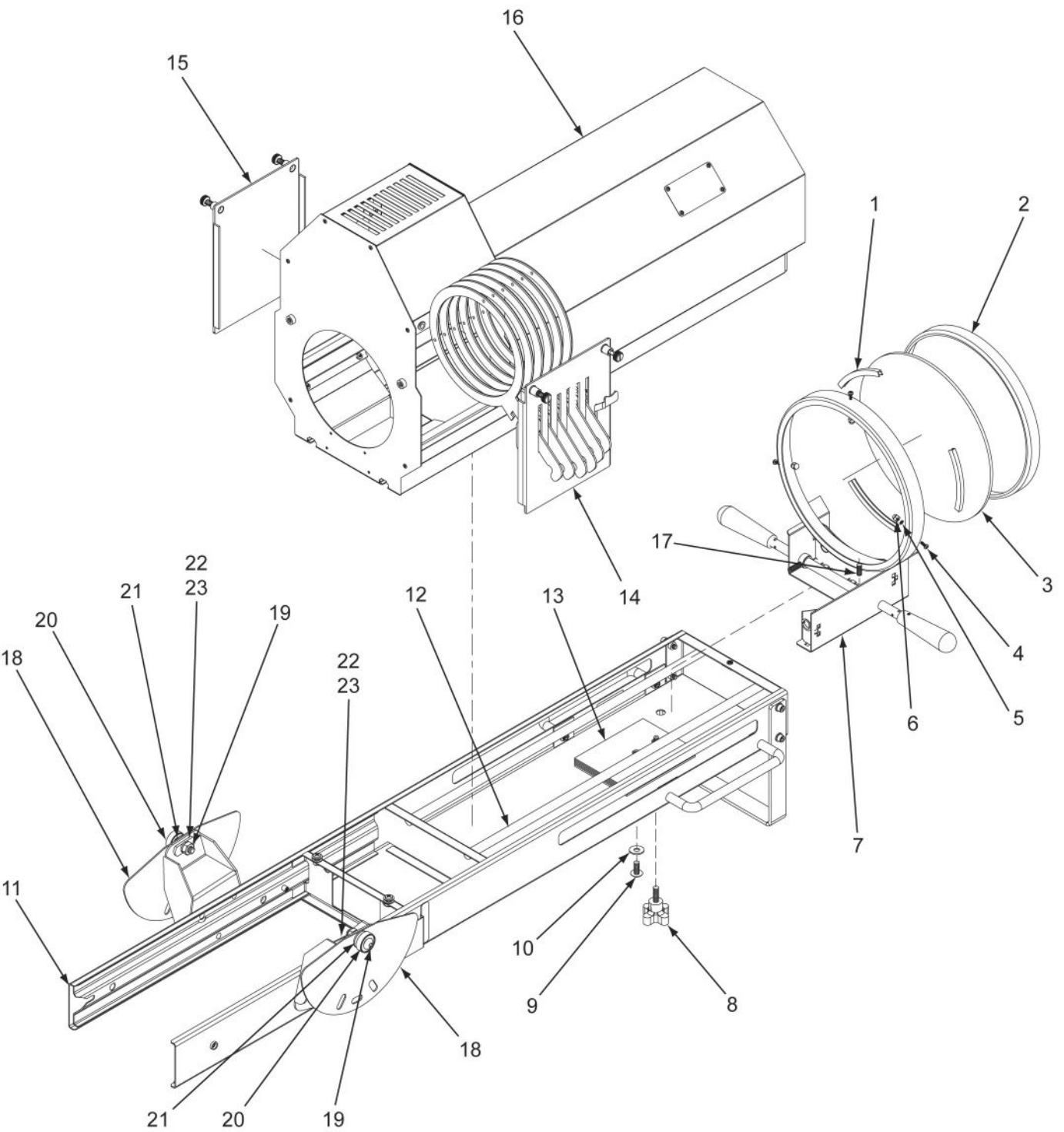


Figure 11. Model 2060 Long Throw Lens Assembly

INDEX NUMBER	PART NUMBER	DESCRIPTION	QUANTITY
Figure 11	2060	Long Throw Lens Assembly	1
1	129074	Grommet, Lens, 4 Inch	3
2	129078	Retainer, Lens, Spinning	1
3	12999	Lens, 10" x 39"	1
4	S6-32X3/8PP	Screw, #6-32 x 3/8" Long, Phillips, Pan Head	3
5	W6SL	Washer, #6, Split, Lock	3
6	N6-32ACORN	Nut, #6-32, Acorn	3
7	20602X	Front Trolley Assembly (Less Lens)	1
8	494	Knob 1/4-20, Aluminum	1
9	S1/4-20X5/8PT	Screw, 1/4-20 x 5/8" Long, Phillips, Truss Head	1
10	W1/4	Washer, 1/4" Dia., Regular Series	2
11	20601X	Chassis, Long Throw Assembly	1
12	206013	Rod, Guide, 22"-3/4" x 1/2"	2
13	206014	Weight, Long Throw (Weldment)	1
14	2004	Boomerang Assembly, Medium and Long	1
15	200411	Boom Access Cover, With Southco Fasteners	1
16	206012	Hood, Front, Long Throw	1
17	468	Brake, Plunger, Steel	1
18	2007	Yoke, Mount Assembly, Medium/Long	1
19	F3/8-16X11/2	Bolt, Button Head, 1/8-16 x 1-1/2" Long	2
20	375	Bearing, Yoke, 3/8" ID	2
21	81248-38-A	Spacer, Bearing, 5/8" D x 1/4" Long, Aluminum	2
22	N3/8-16	Nut, Hex, 3/8-16	2
23	W3/8SL	Washer, Split Lock, 3/8"	2

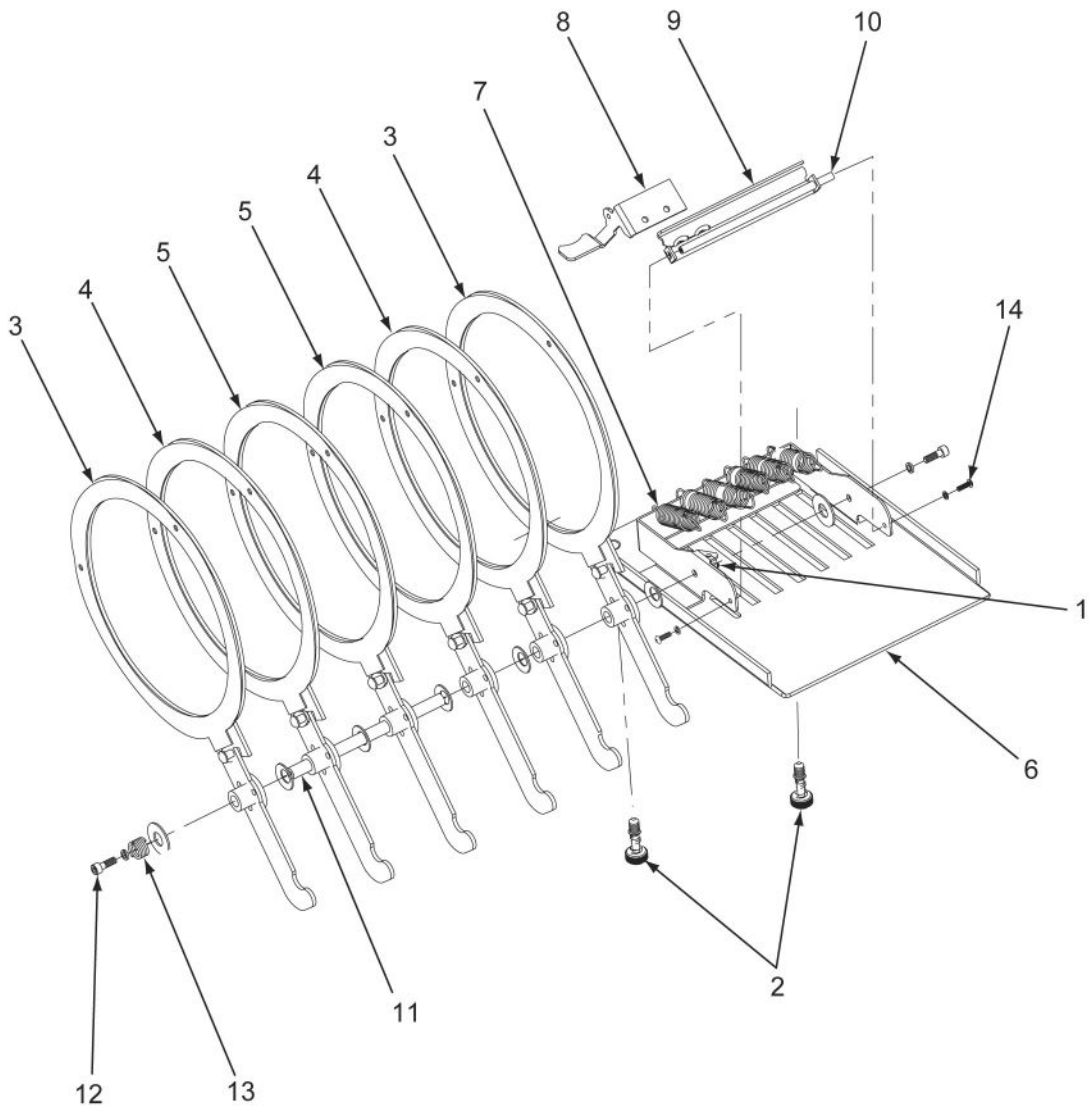


Figure 12. Model 2004 Color Boomerang Assembly

INDEX NUMBER	PART NUMBER	DESCRIPTION	QUANTITY
Figure 12	2004	Color Boomerang Assembly, Medium and Long	1
1	120657	Spring, Release, Color Boom	1
2	126659	Fastener, Housing, 3 Part	2
3	127271AX	Color Boom Arm, Weldment, SHORT	2
4	127271BX	Color Boom Arm, Weldment, MEDIUM	2
5	127271CX	Color Boom Arm, Weldment, LONG	2
6	200410	Plate, Boom, Weldment	1
7	8LE-045E-2SS	Spring, 1.5" x 1/2" D	6
8	127276	Lever, Color Clear	1
9	127275	Bar, Clapper, 4.60"	1
10	81631-440-B	Standoff, #4-40 x 3/16" OD x 4.75" Long, Brass,	1
11	81790-832-B	Standoff, #8 x 5/16" OD x 4.75" Long, Brass	1
12	S8-32X1/2SCS	Screw, Socket Head, Cap, #8-32 x 1/2" Long	2
13	129124	Spring, Lamp Contact	1
14	S4-40X3/8BH	Screw, Button Head, Black, OX, #4-40 x 3/8" Long	2

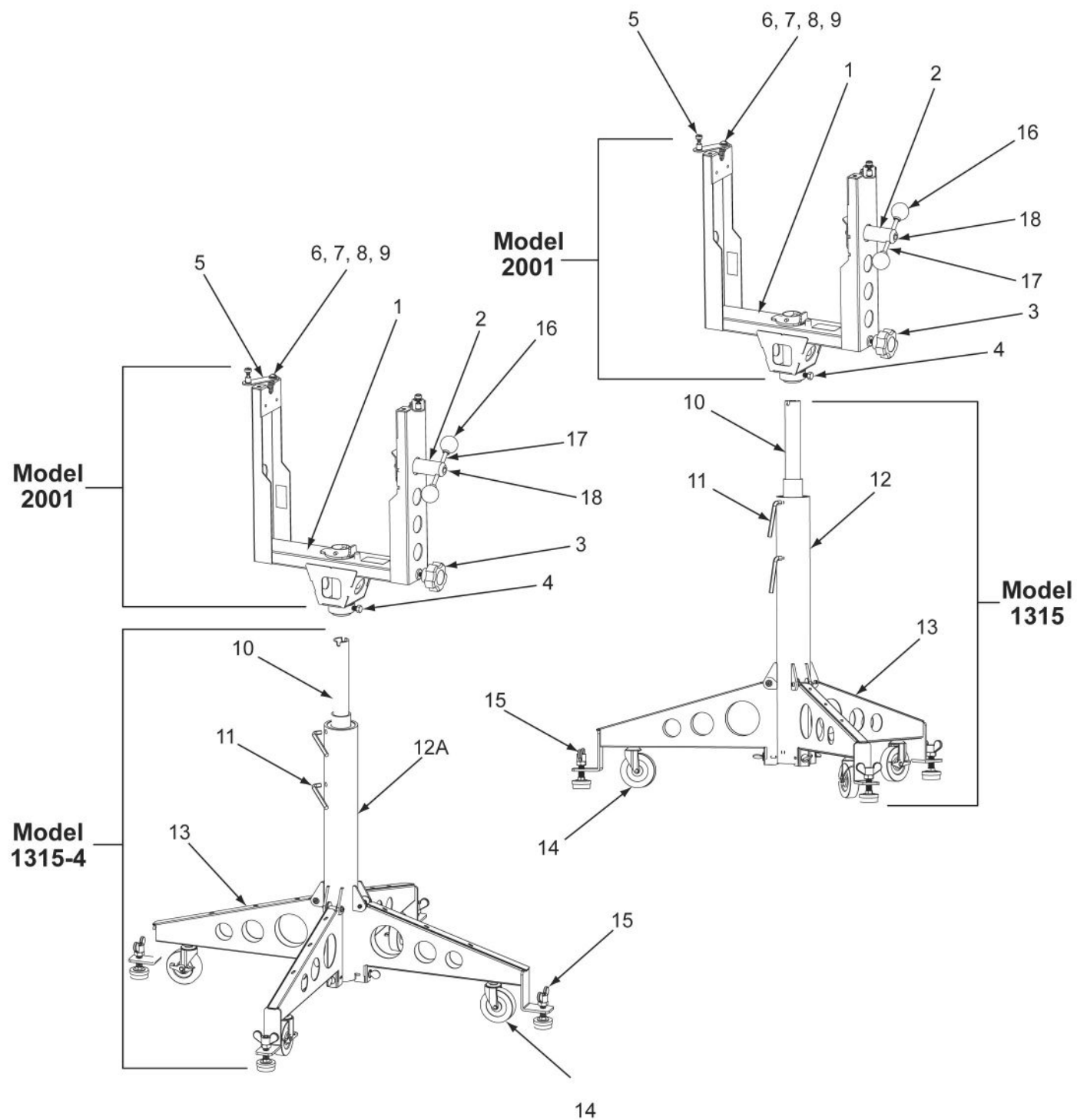


Figure 13. Base and Yoke Assembly(s)

INDEX NUMBER	PART NUMBER	DESCRIPTION	QUANTITY
Figure 13	2001	M2 Yoke Assembly	1
	1315	Folding Base	1
	1315-4	4 Legged Folding Base	1
1	200110	Modular Yoke, Weldment	1
2	132213X	Brake and Handle Assembly (Double Shoe)	1
3	120628	Knob, 2-1/2", 5 Point, M-3/8	1
4	B3/8-16X1	Bolt, 3/8-16 x 1" Long, Hex Head	1
5	200111	Yoke Hold Down Clip, With Southco	2
6	B1/4-20X5/8S	Bolt, 1/4-20 x 5/8" Long, Truss Head	2
7	W1/4SL	Washer, 1/4", Split Lock	2
8	W1/4	Washer, 1/4" Dia, Regular Series	2
9	81215-25-A	Spacer, #10 x 1/2" Dia, x 1/8" High, Aluminum	2
10	35101	Pole, Folding Base Weldment	1
11	120642	Lever, Height, Gold	2
12	13152X	Outer Base Pole, Weldment	1
12A	13152X-4	Outer Base Pole, 4 Legs, Weldment	1
13	131556	New Steel Base Leg Assembly (For Model 1315)	3
-	131556	New Steel Base Leg Assembly (For Model 1315-4)	4
14	940	Caster (For Model 1315)	3
-	940	Caster (For Model 1315-4)	4
15	217	Leveling Jack (For Model 1315)	3
-	217	Leveling Jack (For Model 1315-4)	4
16	126629	Knob, Ball, 1-1/2"	2
17	4373	Handle, Stud, 4-1/2"	1
18	4372	Hub, Ball Lever	1