

# 1293

3kw  
XENON

# X3K

## LONG THROW



MODEL  
1293

### FEATURES

- Separate slot for diffuser, UV or correction filter
- Center mounted 6-color boomerang, uses industry standard color frame for gels and dichroics
- Single lever trombone intensifies the beam as the diameter is reduced
- Operable from left or right side via dual controls and reversible boomerang
- Ball bearing movements on pan and tilt function
- Quarter turn handle lock on trombone slide
- Rapid tilt balance adjustment to suit operator
- Four follow / carrying handles
- Stable four-legged base
- All parts easily removable for cleaning and maintenance
- Ammeter and control for lamp current
- Hour meter
- Lightweight electronic power supply
- 205 - 240 VAC
- 50 or 60 Hz operation

A VERY  
POWERFUL  
LONG THROW

- DICHROIC "COLD MIRROR" REFLECTOR • OPTICAL GRADE LENSES
- GOBO SLOT • NICHROME IRIS • CHOPPING SHUTTER
- FADER • QUICK FOCUS KNOB



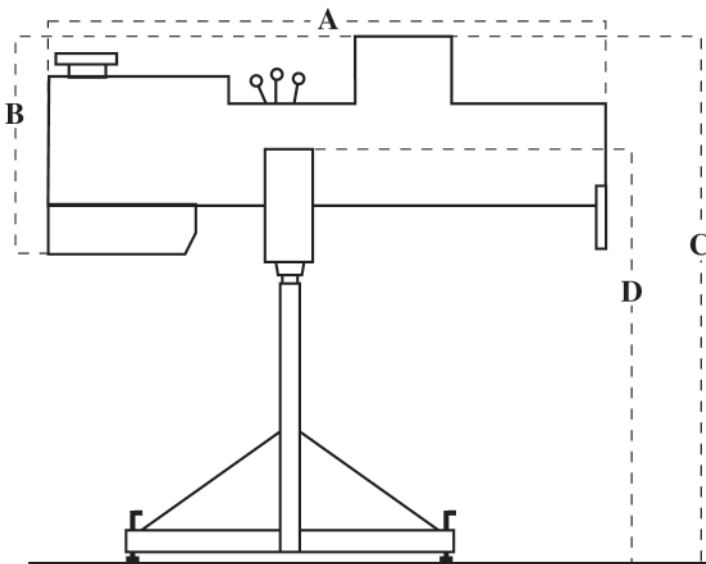
**LYCIAN**  
STAGE LIGHTING

# 1293 X3K MODEL 1293

## ARCHITECTS' & ENGINEERS' SPECIFICATIONS

The luminaire shall be a 3000 watt follow spotlight designed to be used with various manufacturer's 3kw xenon lamps. The optical train shall consist of a high-precision, electro-formed, coated reflector, heavy duty nichrome iris, chopping shutter, gobo holder, fader, effect slot and a single lever variable focal length zoom objective lens system. A rapid focus knob located on both sides of the spotlight shall focus within 4 revolutions. All lenses shall be clear optical grade lenses. The color boomerang shall be mid-mounted and reversible and use industry standard 9" (22.9cm) frames. Top mounted controls for the iris, fader, and shutter along with dual control for zoom and a reversible color boom shall make the spotlight readily convertible from right to left operation. The power supply shall be of the electronic type mounted within a separate enclosure and be connected to the spotlight head via a multi-pin connector for the control circuits and camloc type connectors for the DC lamp current. Cooling shall be provided by three quiet blowers. A slide control shall be provided to adjust the tilt balance to suit individual operators. The spotlight body shall be constructed of cold rolled sheet steel and aluminum extrusions and shall be finished in light grey and black wrinkle powder coated baked finish. A four legged rigid base shall be provided. Head dimensions (not mounted on a base) shall not exceed 73" (1854mm) L x 29" (737mm) H x 20<sup>1</sup>/<sub>2</sub>" (520.7mm) W (including controls) with a head weight of 174 lbs (79Kg). The remote power supply shall be of the electronic switching type and shall operate on 205 to 240 VAC 50 or 60 Hz. The spotlight is of the xenon type which must be operated and maintained by individuals trained in the operation, maintenance, and hazards of xenon lamps. The spotlight shall be the Lycian Stage Lighting Model 1293 X3K.

## DIMENSIONS



- \* A. Head length - 73" (1854mm)
- \* B. Head height - 29" (737mm)
- \* C. Overall height with base - 67" (1702mm)
- D. Height of pivot - 51" (1295mm)

\*Additional upward height adjustment of 6" (152mm)

- Width of base- 34" (864mm)
- Maximum width of head - including all controls - 20<sup>1</sup>/<sub>2</sub>" (520.7mm)
- Head weight - 174 lbs. (79Kg)
- Base weight - 88 lbs. (40Kg)
- Ballast weight - 75 lbs. (34Kg)

## ORDERING CODE

■ 1293 X3K

## PHOTOMETRICS

THROW (Feet)	100	150	200	300	450
THROW (Meters)	30.48	45.72	60.96	91.44	137.16
<b>SPOT</b>					
Footcandles	2339	1039	584	260	90
Lux	25.177	11,184	6286	2799	969
Min. Diameter (ft.) .5°	1	1.5	2	3	4.5
Min. Diameter (m) .5°	0.3	0.45	0.6	0.9	1.35
Max. Diameter (ft.) 3°	6	9	12	18	27
Max. Diameter (m) 3°	1.83	2.74	3.66	5.48	8.22
<b>FLOOD</b>					
Footcandles	280	124	70	31	10
Lux	3014	1335	753	334	108
Max. Diameter (ft.) 7.5°	15	22.5	30	45	67
Max. Diameter (m) 7.5°	4.6	6.8	9.1	13.7	20.4