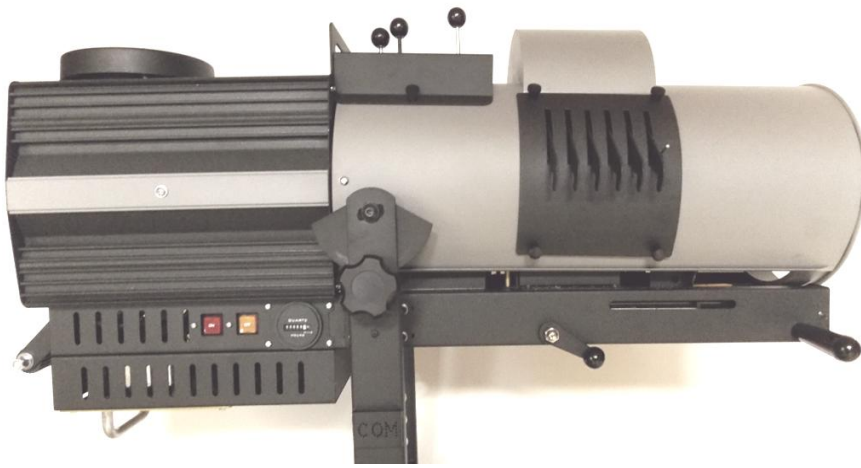




MODEL 1274

SUPERSTAR 1.2 SHORT



A PROFESSIONAL COMPACT, SHORT THROW FOLLOWSPOT

Compact Size Makes the Superstar Short Great For Small Venues

- * Internal, 6 Color, Center Mounted Self-Cancelling Color Boomerang
- * Rapid Focus Mechanism

- * Top Mounted, Iris, Dimmer & Standard Horizontal Chopping Shutter
- * Proudly Manufactured in USA

FEATURES

- Utilizes a 1200 Watt Double- Ended Osram Sharx Series Lamp (not included)
- Flat & Brilliant 5600° K Color Temp.
- Faceted Dichroic Glass Reflector
- Automatic Single Lever Zoom System
- Compact & Lightweight
- Horizontal Trim Shutters
- Dowser
- Heavy-duty Nichrome Steel Iris
- Integrated Gobo Slot (G Size)
- Draws 15 Amps at 120VAC, 60 Hz
50/60Hz available
- Rugged Folding 3 Legged Base with Leveling Jacks & Locking Casters



Sold complete with magnetic ballast, 3 Legged Folding Base and Internal Self-Cancelling Six-Color Boomerang
Solidly built and backed by the Lycian limited two year warranty

- RELIABLE
- DURABLE
- BRILLIANT
- ERGONOMIC

www.lycian.com

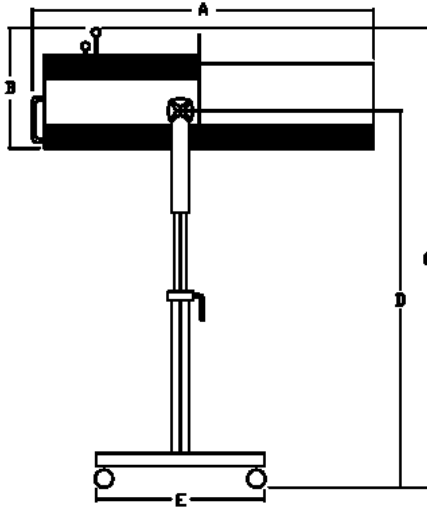
MODEL 1274

SUPERSTAR 1.2 SHORT

ARCHITECTS & ENGINEERS SPECIFICATIONS

The luminaire shall be a 1200 watt followspot designed only for a specific double ended metal halide lamp. A single lever variable focus optical system using a galvanized steel cable linkage shall be employed; ribbons or cams shall not be acceptable. A gate assembly consisting of a nichrome steel heavy duty iris, paired stainless steel shutters, gobo slot and heavy duty fading shutter shall be provided. Focus shall be via an external knob. Optical grade white water plate glass lenses only shall be used. Plastic or green lenses shall not be acceptable. The spotlight housing shall be extruded aluminum and sheet steel finished in black and gray epoxy powder-coated wrinkle finish. A six color self-cancelling color boomerang shall be provided. Only internally mounted color boomerangs shall be acceptable. Field controls and "x" and "y" axes shall be external; internal controls shall not be acceptable. Lamp mounting shall be of the shock mount type. A safety switch shall be fitted to the lamp house top. Power to the spotlight shall be controlled via two pushbuttons mounted in the spotlight head. Removal of the lamp house top or loss of power shall render the spotlight in the "off" mode. Replacement of the top or reinstating power will not unexpectedly relight the lamp. Restriking the lamp will require a momentary push of the "on" button. The spotlight is supplied with a dichroic glass reflector. An operations unit containing the unit's electronics is quickly accessible from the bottom of the spotlight head. A quick release multipin connector shall be mounted at the bottom of the spotlight for connection to the remote ballast unit. The ballast chassis shall have a 20 amp circuit breaker, be constructed of extruded aluminum with stamped sides and end parts, and may be operated in an upright or horizontal position or stacked in multiples. The unit shall include an elapsed time meter. The yoke shall be part of the head and allow for a minimum tilt of 55 degrees below horizontal and 50 degrees above horizontal. A stable three legged folding base with locking casters and leveling jacks shall be provided. The spotlight shall be fan cooled. Housing dimensions shall not exceed 39-3/8"(L) x 17" (W) x 19 1/2" (H) including all controls. Net weight of the spotlight head shall not exceed 82.4 lbs and 42 for the base. Current draw shall not exceed 15 amps. Photometric data shall conform to the table provided. The luminaire shall be a Lycian Stage Lighting Super Star 1.2 Short Model 1274.

DIMENSIONS



- A. Head Length- 39-3/8"
- B. Head Height- 19-1/2"
- C. Overall Height with Base- 57-1/2"
- * Add'l upward Height Adjustment 13"
- D. Height of Pivot- 48-1/2"
- E. Base Width- 34"
- Maximum Width of Head- 17"
- Head Weight (inc. yoke) 82.4 lbs.
- Base Weight 42 lbs.

Beam Angle 8-11°

PHOTOMETRICS

THROW in FEET	FEET	70	100	125	150
THROW IN METERS	METRIC	21	30.5	38	46
Min. Spot Diameter (With Iris)	FEET	1.6	1.42	1.77	2.1
	METRIC	51 cm	43 cm	54 cm	64.5 cm
Small Spot Diameter	FEET	9.6	13.7	17	20.5
	METRIC	2.9 m	4m	5.2m	6m
Intensity	FC	236	116	74	51
	LUX	2594	1249	797	549
Max Flood Diameter	FEET	12	17	21.25	25.5
	METRIC	3.7m	5m	6.5m	8m
Intensity	FC	159	78	50	35
	LUX	1711	840	538	377

Recommended Lamps- OSRAM 54268

ORDERING CODE

Model# 1274

SUPERSTAR SHORT

Specifications subject to change



PO Box 214, 1144 Kings Highway
 Sugar Loaf, NY 10981 USA
 Tel. +1 (845) 469-2285