



PO BOX 214

SUGAR LOAF, NY 10981 USA

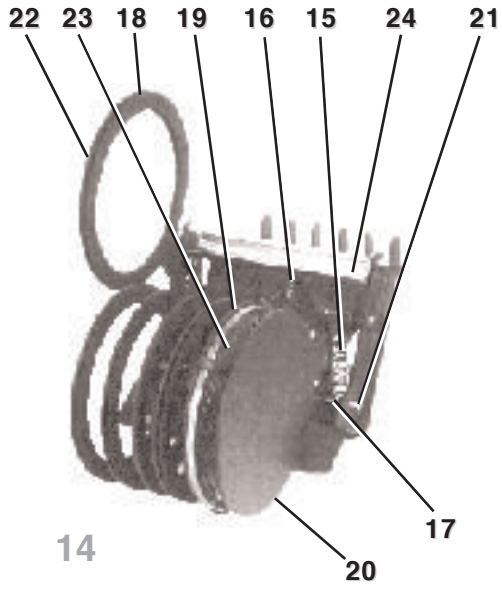
MODEL 1207

**Midget**  
**2K**

**Parts List**

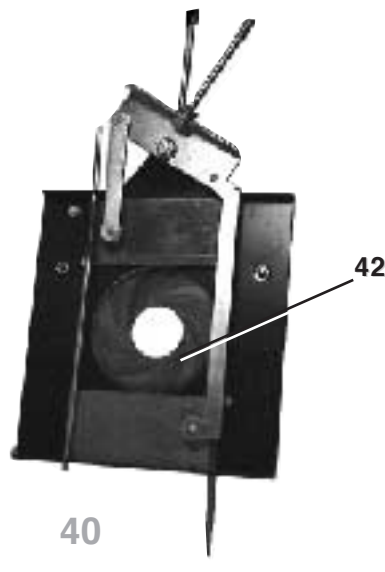
## BOOMERANG

#14 Color Boom Assembly - Entire Unit

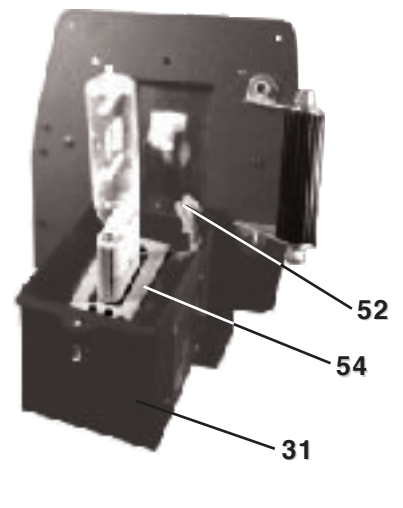


## SHUTTER ASSEMBLY

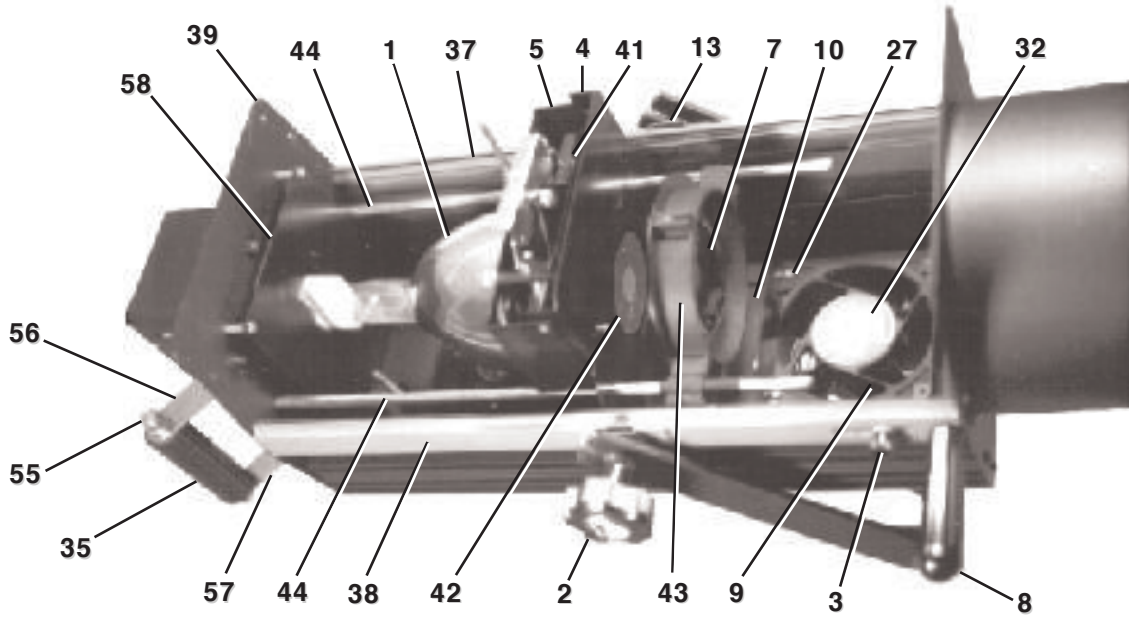
#40 Shutter assembly shown with #42 iris



## LAMP HOUSING



## INTERIOR



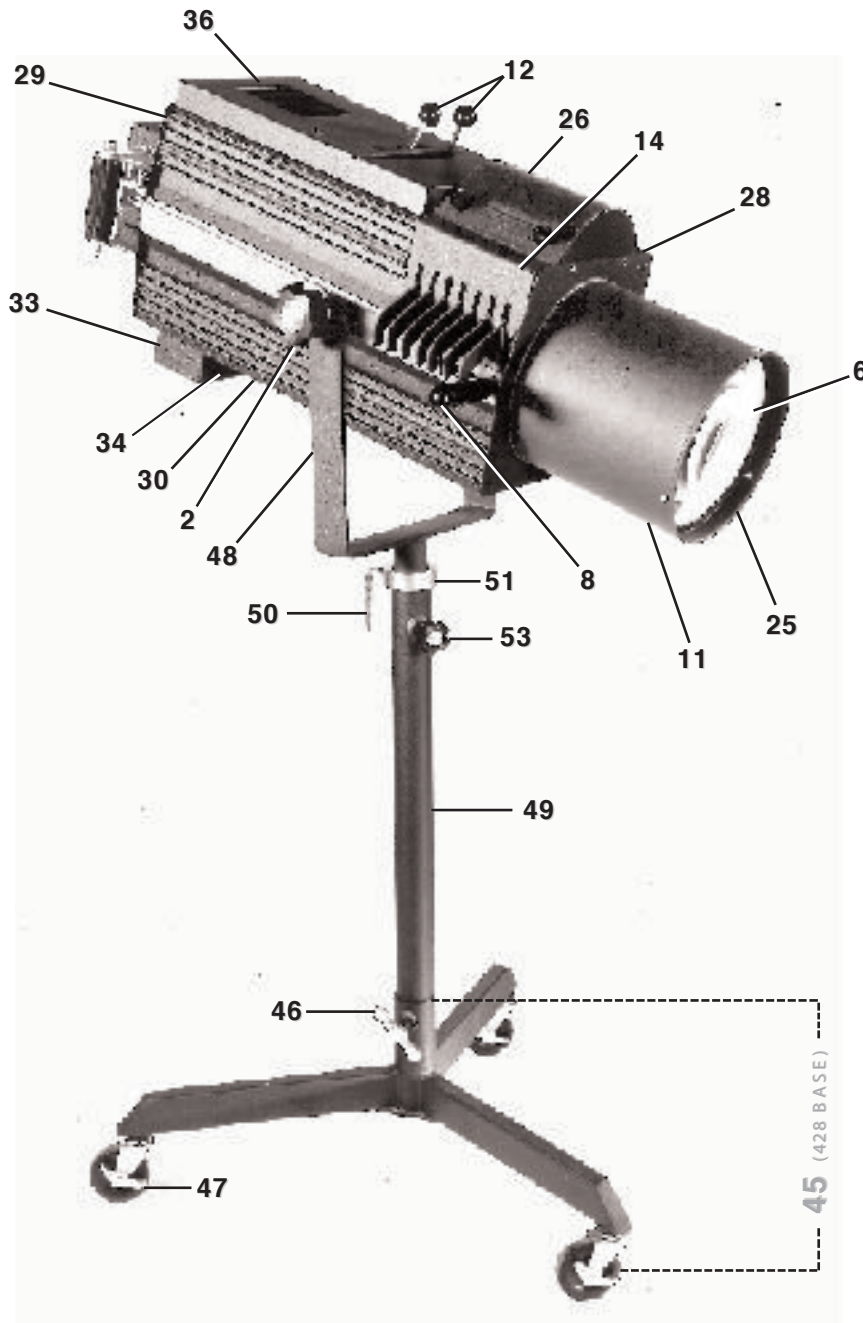
ITEM	PART	DESCRIPTION
1	12061C	Reflector
2	120628	2 -1/2" 5 Point Knob M-3/8
3	120629	Knob-Housing
4	319	Gate Holder "A"
5	320	Gate Holder "B"
6	120632	Large Lens 8"x20"
7	120633	Small Lens 4-1/2" x 6-1/2"
8	120636	Follow Knob 3/8" Male
9	120638	Fan Guard 4-1/2"
10	12063A	Spot Light Bottom (1207)
11	120648X	Midget Snoot Assembly
12	120659	1" Ball Knob
13	120660	Bolt & Washer For Tilt
14	120662X	Color Boom Assembly Midget
15	120656	Color Boom Arm Spring
16	120657	Color Boom Release Spring
17	120672	Spring
18	126638XA	Boom Arm - Color

ITEM	PART	DESCRIPTION
19	126638XB	Boom Arm - w/Spread Lens
20	126638XC	Boom Arm Dowser
21	126646	Color Rod
22	126639	Color Frame
23	12152	Spread Lens
24	120622A	Color Release Bar
25	120669	Snoot Bead
26	120671	Front Dome Top
27	120677	Fan Baffle
28	120691	1207 Top Left Side
29	120692A	1207 Top Right Side
30	120693	Bottom Sides
31	120711	Lamp Holder "A"
32	120715	100 CFM Axial Fan
33	12071	Switch Box
34	348	1/2" Romex Connector
35	287-4	4" Handle
36	12072X	1207 Aperture Cover Assembly

1207

## MIDGET

1207



ITEM	PART	DESCRIPTION
37	12073	Non-Op Yoke Mount Extrusion
38	12074	Operating Side Yoke Extrusion
39	12075X	1207 Rear Partition Assembly
40	321X	Shutter Assembly/Less Iris
41	324	Gobo Slot
42	120641	Iris
43	120612	Moving Extrusion-Rod/Ring
44	120918	16-1/2" Guide Rod
45	428	Small Base Assembly
46	308	3/8" Gold "TEE" Handle
47	940	Caster
48	120630A	Yoke, Pipe W/Collar
49	120631A	Base Pipe (New)
50	120642	Gold Height Lever
51	280	1-11/16" Collar
52	12076A	1-5/8" Pan Knob
53	120617	1-5/8" Pan Knob

ITEM	PART	DESCRIPTION
54	322	Mogul Bi-Post Socket
55	120717	Handle Stud
56	120714U	Upper Rear Handle Tab
57	120714L	Lower Rear Handle Tab
58	120716	Rear Baffle
<b>Parts Not Shown</b>		
	12076	Wiring Harness (1207 Fan)
	315	20 Amp DPST Switch
	W8X1.125B	1-1/8" #8 Brass Washer
	85079-N-166	1-1/8" Nylon Washer
	340-8	1-1/8" #8 Three Arm Knob
	120684	Lycian Red Paint
	126615	Lycian Black Spray Paint

# Installation and Set-up

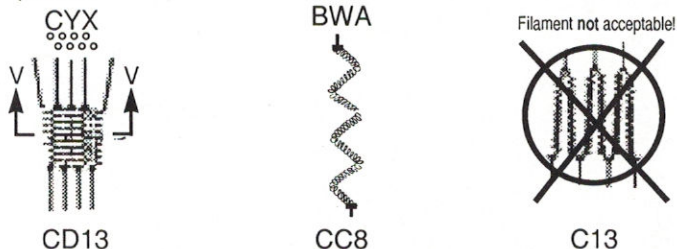
The Midget 2K model 1207 follow spotlight is shipped in two cartons:  
**1 - 428 Base**  
**2 - Head and Yoke / Pole Assembly**

1. Insert the pole assembly into the center hub of the base. Securely tighten wing knob #46.
2. With the pan collar #51 installed, insert the yoke with pipe assembly #48 into the base pipe. Adjust yoke to desired height and tighten gold height lever #50 on collar securely. Adjust pan tension with knob #53 on pole.
3. Slightly loosen the yoke bolt and tilt knob located on either side of the spotlight and assure that all washers are spaced away from the spotlight body. Carefully align the pivot slots and the yoke sides and lower light into place. Tighten tilt knob to achieve desired tilt friction.

## Lamping

**Caution** Spotlight must be disconnected from power during installation.

- The Midget 2K is designed to be used with a 2000 watt quartz lamp. A CYX lamp using a C13D filament or BWA lamp using a CC8 filament may be used. Lamps using a C13 filament will give a substandard beam quality and intensity.
- Loosen chrome captive screws on the lamp housing. Firmly insert the lamp into the socket. Relocate the lamp housing taking care to avoid hitting the lamp against the reflector. Check that wire leads are down and away from the socket. Tighten the captive screws.
- The lamp is adjusted at the factory. However, due to lamp tolerance variation, it may be desirable to realign the field. Field flatness is adjusted by loosening the 2 allen key screws on either side of the lamp housing and sliding the lamp adjustment plate in and out to attain the desired field. Hot spot centering is accomplished by loosening the arm knob in the rear of the lamp housing, adjusting the position and tightening it at the desired position.



## Gelling

- Five color gels are provided. Remove the color boomerang by unscrewing the two plastic knobs and lifting the assembly up and out. Place the gels in the color boomerang - the lightest colors towards the lamp, the darkest farthest away - sandwiching each gel between the two circular halves of each frame in the assembly. Insert the brass fasteners provided through the small holes in the frames, piercing gels and spreading feet of the fasteners to secure gels. An alternative method of securing gels to frames is using wire tie wraps. Return boomerang assembly to spotlight and replace retaining knobs. When operating color boomerang, inserting one color frame will release a previously inserted frame. Actuating the lever on the right will release all the frames.

## Operation

- It is recommended that the lamp be turned on at the beginning of the performance and not turned off and on unnecessarily until the end. This will aid in extending lamp life.
- The light beam is shaped by an iris and chopping shutter. These controls are located on the top of the spotlight. A gobo slot is also provided for pattern projection. Use Lycian Model 1304 Gobo holder.
- A fader is located in the color boomerang to gradually dim the beam. This control is the arm furthest to the front of the spotlight and should be the only control used for extended periods of blackout.
- A spread lens is also located in the color boomerang, situated next to the fader. This provides a wide angle spread of light in one direction (i.e. for full stage width flood). The position of the spread angle can be adjusted by rotation of the spread lens in its holding tabs to provide flooding from various lighting angles as necessary.
- Model 1207 / D incorporates an adjustable dimmer control located on the rear panel to vary the light intensity. In the full CCW position the lamp is fully off; however, the fans are still operational while the on/off switch is on.

## Maintenance and Service

**Caution** Disconnect light from electrical power prior to attempting any cleaning to prevent electrical shock hazard.

- **Cleaning:** Periodic cleaning of the spotlight is required for peak operating performance. The lenses may be cleaned with alcohol or lens cleaner solution. Access to the middle moving lens assembly is accomplished by removal of the color boomerang assembly. Removal of this lens should not be necessary for cleaning. However this may be accomplished by unscrewing the two phillips head screws which hold the baffle to the front fan then removing the baffle. Loosen the focus adjustment knob until it is removed. Move the focus arm inward to approximately a 45 degree angle which will allow sliding of the lens assembly forward until it is clear of the supporting guide rods. The lens assembly may now be angled out through the color boomerang slot. Installation is in reverse order. *Note:* The guide rod must rest in the notch on the non-operation side of the lens holder. Failure to install the lens correctly will cause the spotlight to focus improperly. Be sure that the baffle is re-installed. This reduces reflected light from being emitted from the unit.
- The spotlight may be cleaned with a soap and water solution and wiped dry.
- **Replacement of parts :** The Model 1207 is easily serviced and most parts are field replaceable. To assure continued U/L compatibility and safe operation only original replacement electrical parts should be used.

- **Schematic:** Shown below in Fig. 1 is the wiring diagram for the spotlight to aid in locating electrical problems. Refer to the table below to aid in trouble-shooting.

Problem:	Probable Cause:
1.) Lamp fails to light (switch lit)	1.) Lamp defective; power switch defective; socket defective; loose wire; lamp improperly seated.
2.) Fan (s) inoperative (lamp lit)	2.) Verify no obstructions. Fan plug(s) loose; fan(s) defective; fan cable defective.

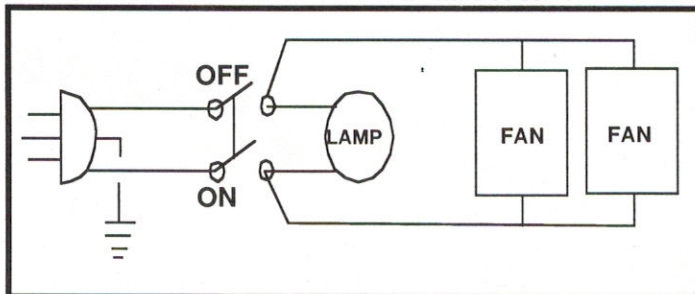


FIG. 1

## Mechanical

- **Iris replacement:** Remove the color boomerang, the two ball knobs from the shutter and iris controls, the aperture cover, the fan baffle and the middle moving lens. Locate the three slotted fillister head screws on the plate directly to the rear of the middle moving lens assembly. Removal of these screws allows the entire shutter and iris assembly to be lifted up and out of the spotlight. Note that the gobo holder bracket is also mounted on these screws between the iris and front plate. Remove the iris from the shutter mounting plate by loosening the two hex nuts using a 5/16" wrench or nut driver. Carefully lift the iris assembly from the two studs, assuring that the flat washers beneath the iris are not removed. These flat washers provide clearance for the iris pivot pins and must be in place upon replacement for proper operation of the iris. Install the new iris onto the stud and re-install the star lock washers and hex nuts. Tighten securely. Installation into the unit is in the reverse order of removal.
- **Shutter replacement:** The shutter assembly is replaced as an entire unit and is accomplished by performing the steps required for the iris replacement. Install the iris on the new shutter assembly as indicated above. Installation as indicated above.