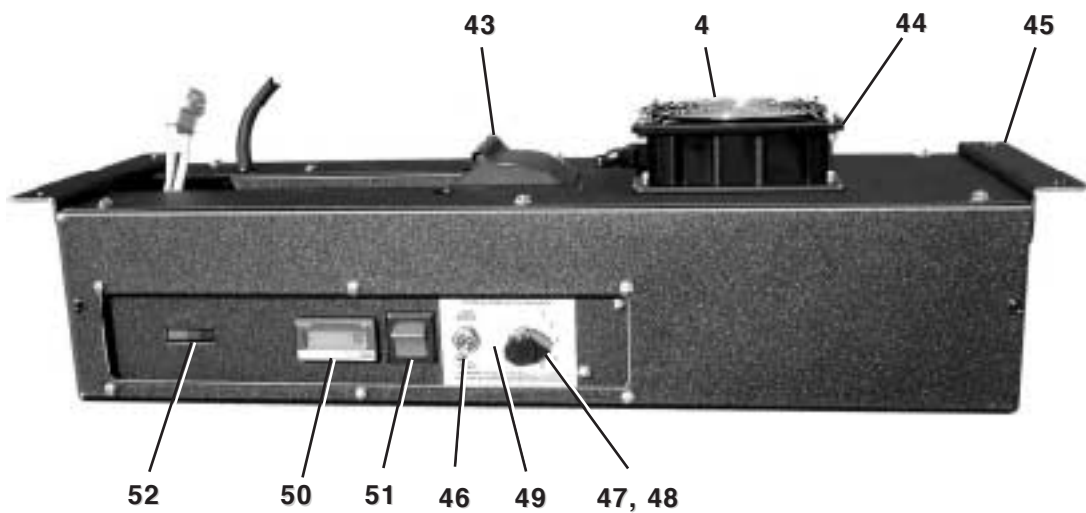
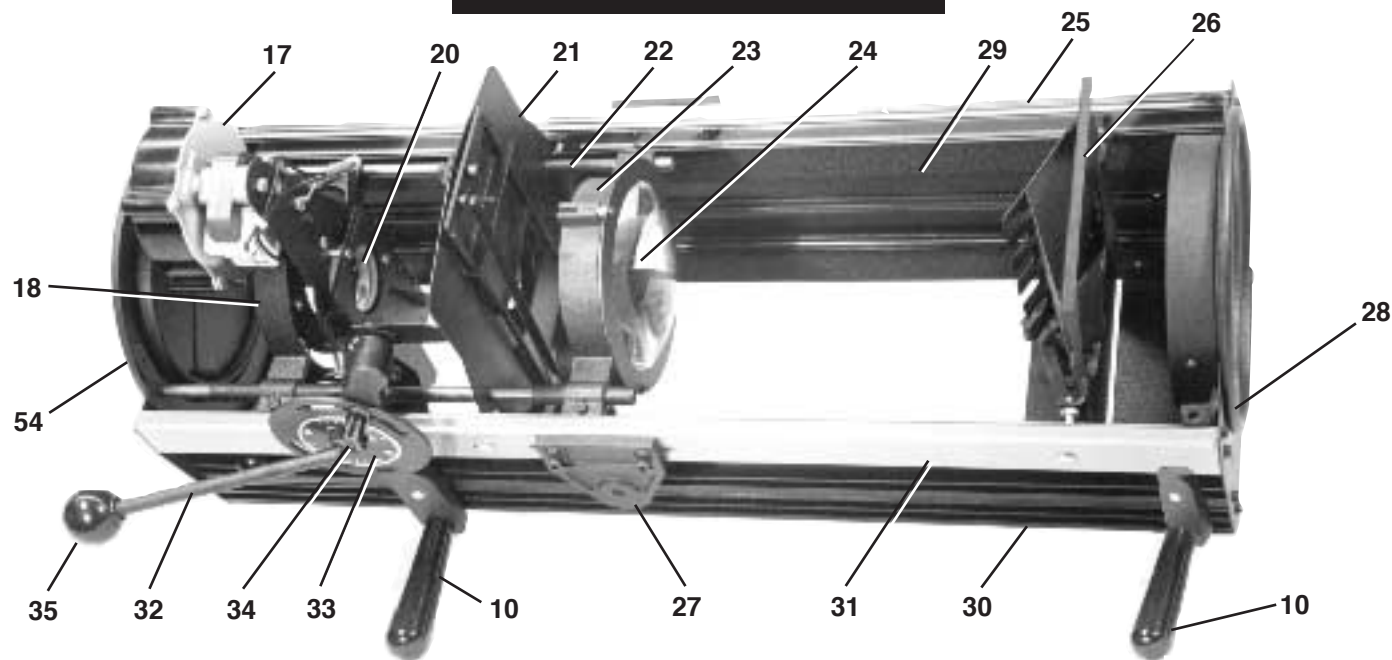


## POWER SUPPLY



## INTERIOR



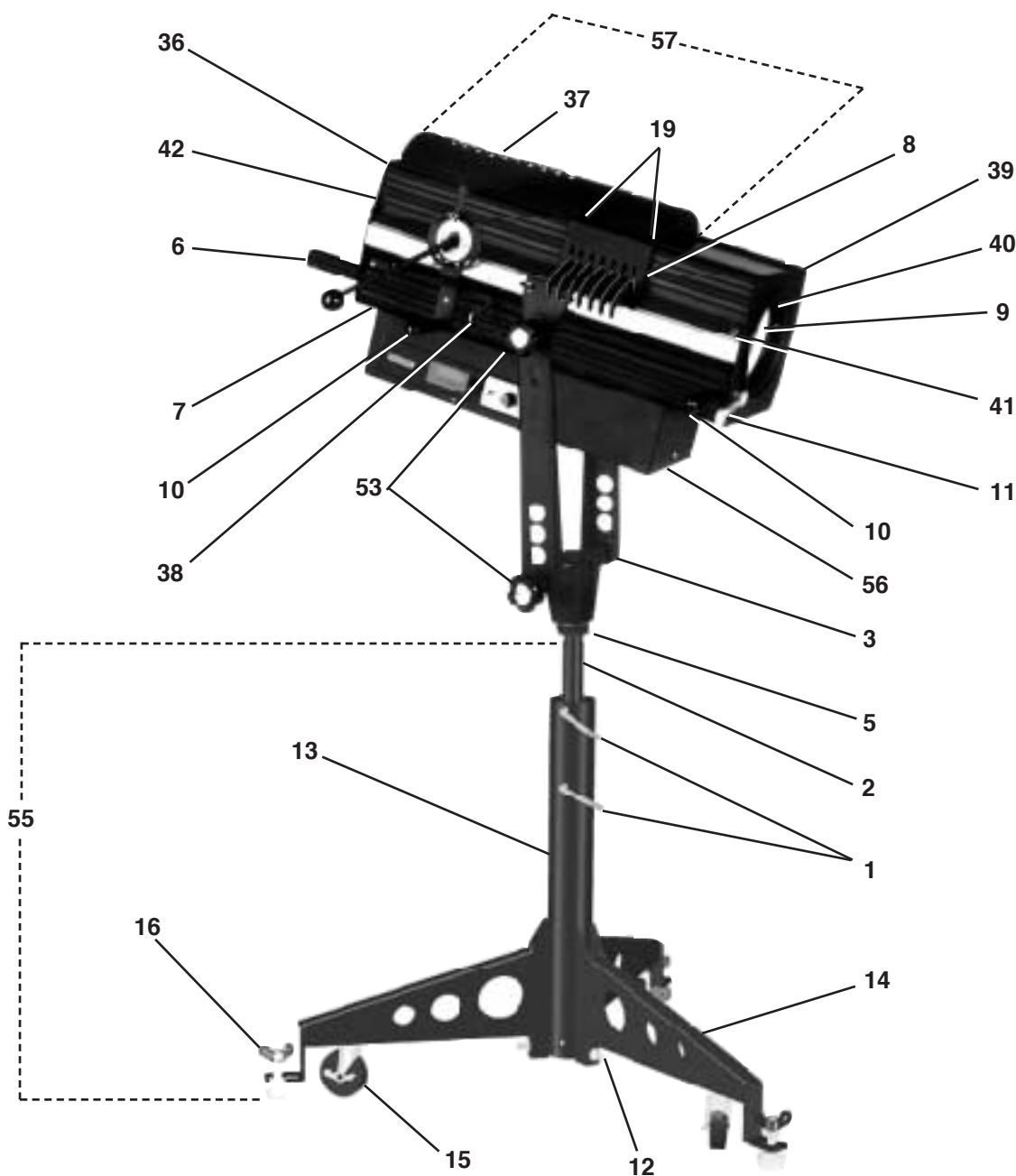
ITEM	PART	DESCRIPTION
1	120642	Gold Height Lever
2	35101	Pole for Base
3	126657	Yoke Assembly
4	120638	Fan Guard, 4-1/2"
5	308	3/8" "TEE" Handle
6	287-4	4" Handle
7	271	Indicator
8	1266102X	Color Boomerang
9	126666	Lens 6 x 20
10	120636	Follow Knob - 3/8" Male
11	126754	Front Fader Lever
12	8561-S-12	Captive Screw
13	13152X	Outer Base Pole
14	131555	Folding Base Leg
15	940	Caster
16	217	Leveling Jack (for 1315)
17	126769	Top Blower for Lamp
18	126652X	Lamp Carriage Assembly

ITEM	PART	DESCRIPTION
19	12095	Color Boom Knob
20	126686	Optic
21	126653X	Shutter Assembly
22	126671	13-3/4" Guide Rod
23	126662	Moving Extrusion w/Rod
24	126665	Lens 5 x 6
25	126683	Left Side Yoke Mt. Extrusion
26	126654X	Fader Assembly
27	224A	Yoke Mount
28	126679	Front partition-bottom
29	126650	Lower Left Side
30	126651	Lower Right Side
31	126682	Right Side Yoke Mt Extrus
32	120659	1" Ball Knob
33	1266103X	Spot Size Control
34	126640	7/8", 3-Point Knob, 10-32
35	126629	1-1/2" Ball Knob
36	126674	Rear Partition-Top

1266

## SUPERARC

1266



ITEM	PART	DESCRIPTION
37	126676	Dome Top
38	126753	Shutter handle
39	126648	Upper Left Side
40	126675	Front Partition-Top
41	126659	Housing Fastener
42	126649	Upper Right Side
43	208	Large Blower
44	120640	Fan
45	126610B	Supply End Plate [steel]
46	285	Switch, SPDT, Bat Handle
47	284	Switch 6 pos.
48	239	Selector Knob - 1/4"
49	227	"Wattwatch" label
50	410	Timer, Digital, DC
51	120670	Rocker Switch On/Off
52	913X	PCB Assembly
53	120628	Knob, 2-1/2", 5-Point, M-3/8
54	126678	Rear Partition-Bottom
55	1315	Folding base
56	126690X	"400" Power Supply Tray
57	1266102	Housing Top Assembly

ITEM	PART	DESCRIPTION
<b>Parts Not Shown</b>		
92223		Lamp Connector Assembly
126655		Fader Rod for 1266
126661		Iris
120639		Line Cord [12']
126664		Spring
126684		Back Door Knob
126699X		Yoke Hardware (one side)
126689		3/8" Collar
1266100		Fader Spring
120638		Fan Guard 4-1/2"
210		Ball Joint
120657		Color Boom Release Spring
35005		Lamp Retention Spring
120656		Color Boom Arm Spring
126688		Bottom front plate
126639		Color Frame
212		Circuit Breaker - 15 Amp
925		HTI 400 Igniter
919X		400 Printed Circuit Assembly
254		Capacitor
92210		Transformer
126642		400 Back Logo Plate
92211		Transformer
126685		Lamp Carriage Spring
89-4		Relay
126615		Lycian Black Spray Paint